

WHELEN[®]

AMERICAN EMPLOYEES,
AMERICAN MANUFACTURING
AMERICAN PRIDE!

Officially licensed warning
lights of NASCAR[®]



AMBER

*A Full Line of Lighting
and Warning Products*



WHELEN CORPORATE CAPABILITIES

INDEX

Capabilities	2-5
What's New in this Catalog	6
Beacons	7-16
Directional Lights.....	17-20
Mini Lightbars.....	21-25
Lightbars	26-28
Traffic Advisors.....	29-31
Lightheads	32-46
Work Lights	47-53
Flashers	54
Power Supplies & Controls.....	54-55
Lighting Systems	56-58
DOT Systems	59-62
Replacement Lamp Guide.....	63
Certifications	64
Warranty	65
Alphabetical Index.....	66



SmartLED® refers to LED warning products that are self-contained and do not need an external flasher.



Gold Medallion
2 year warranty



Heavy-Duty
Products
5 year warranty



Look for the
"Made to Order"
logo on products that
are built to your
specifications.

At Whelen Engineering, our goal is to bring innovative, life saving products to market more quickly while maintaining strict quality control throughout the process. We have accomplished this through a vertical manufacturing initiative to eliminate or reduce out-sourcing; the use of robotics and state-of-the-art production equipment; and, perhaps most importantly, a motivated workforce of over 1100 employees. This allows us to meet and adapt to our customer's changing needs in the shortest amount of time.

- Two manufacturing facilities totaling over 586,000 square feet.
- Largest staff of Design Engineers in the industry.
- Research and development.
- Partnering with OEMs on new vehicle design and product integration.
- Plastics injection molding machines from 30 to 2000 tons capacity.
- In-house plastics, hard coating, metallizing, and sheet metal fabrication.
- On-site test lab for environmental dust, moisture, vibration, etc, acoustic anechoic sound chamber, industry certifications (SAE, AMECA, FAA to name a few).
- Sales and Technical Personnel are trained at the factory training center and return for updates on a regular schedule.
- Worldwide network of Sales, Service and Training.

MANUFACTURING FACILITIES



Corporate Headquarters, Chester, Connecticut



Charlestown, New Hampshire Division

WHELEN®

DESIGN & ENGINEERING

The largest staff of Design Engineers in the industry! Many of our Engineers are Fire Volunteers and EMTs so they know firsthand the critical need for life saving, innovative products.



3-D Product Design



Whelen's Professional Design Engineers

INJECTION AND VACUUM MOLDING

1600 molds, 38 molding machines from 30 to 2000 tons, 20 million parts produced every year. Vacuum machines produce irregularly shaped components not suitable for injection molding.



Injection Mold Making



3-D Tool Designs



1700 Ton Molding



3 Trimming Formed Parts Machines



5 Over Molding Electronics Machines



38 Robotic Molding Machines



Die-Cast Tool Making



Aircraft Lens Mold Making

ELECTRONICS MANUFACTURING

Surface mount and through-hole circuit boards are manufactured, assembled and tested In-circuit.



14 Transformer Winding Machines



15 Cable & Wire Machines



5 Electronic Board Assemblies



12 Electronic Board Testing Machines



Electronic Assemblies



SMT Assemblies



Lightbar Production



Automatic Robotic Cable Assembly

AMERICAN EMPLOYEES, AMERICAN MANUFACTURING, AMERICAN PRIDE!

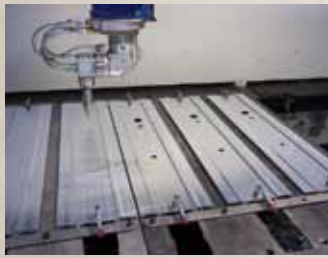


FABRICATION

Robotic and laser cutting and drilling, Robotic Bending Cells for stand-alone operation. All machine parts are produced and maintained by automated production machine shops in New Hampshire and Connecticut.



Five-Axis Laser



Cutting Center



4 Laser Cut Punch & Tapping Centers



8 Metal Forming Machines



Transformer Manufacturing



8 Wire Cutting, Stripping & Terminals Machines



Inventory



Automatic Kit Bagging

FINISHING PROCESSES

Hard coating of lenses and powder coating housings make them resistant to weather and abrasion. Metallizing reflectors adds reflectivity and helps prevent corrosion and oxidation.



Powder Coating



Moisture Proof Coatings



Silicone Hard Coating



5 Vacuum Metallizing Reflector Machines

PRODUCTION MACHINE SHOP

The production machine shop uses state-of-the-art milling machines, CNC lathes and screw machines to make the precision parts required for our products.



2 High Speed Screw Machines



Robotic Five-Axis 48 Pallet Milling Center



15 Milling and Turning Centers

AMERICAN EMPLOYEES, AMERICAN MANUFACTURING, AMERICAN PRIDE!



QUALITY CONTROL AND TESTING

Quality Control is maintained throughout the manufacturing process. Certified test labs on site facilitate product development and shorten lead times.



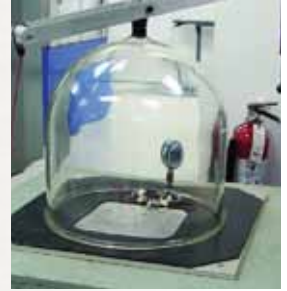
EMI



RF



Corrosion



Atmospheric



Rain



Vibration



Dust



Environmental



Photometric Chamber



Acoustic Chambers



Quality Control & Reliability Testing

REPAIR, SERVICE AND TRAINING

Whelen's Repair Goal is to get product repaired and back out the door to you within 24 hours. Authorized Service facilities are located around the globe. Training is available not only at the Chester Training Facility but at sites around the country. All Whelen Authorized Managing Sales Representatives and technicians return to the plant several times a year for new product introduction and advanced training.



Repair Service Technician



Electronics Technician



Technical Support



Chester Corporate Training Facility



51 Winthrop Road, Chester, CT 06412
860-526-9504 • Fax 860-526-4078
www.whelen.com

Follow Us On....





Safety Site Emitter
Page 56



L10
Super-LED Beacons
Page 9



Century™ Mini Lightbars
Page 24



Wide angle ION™
Universal Mount and
Pedestal Mount
Page 19



Century Towman's Lightbars
Page 28



6" Round White Interior Lights
Page 45



Vertex™ Competitor
Page 34



3" Round Compartment
Page 36 & 45



Perimeter™
Enhancement
Light
Page 33



Pioneer™
Lighthouse
Pedestal Mount
Page 50



ION Wide Angle Surface Mount
Page 32



M2 Lighthoods
and pedestal mount
Page 43



6" Round Interior Lights
Page 46



Updated Strip-Lite™ Interior Lights
Page 45

WHAT'S **NEW!!** IN THIS CATALOG



Pan and Tilt
Spotlight
Page 53



Micro Pioneer™ Floodlights
Page 48



PAR-36 Heavy
Duty Work Light
Page 58

PAR-46 Rubber
Housing Floodlight
Page 47



FleetRack™ Truck Rack for
Emergency Lighting
Page 53



SlimLine™ Pioneer
Floodlight
Page 52



Pioneer™ Combination
Floodlight
Page 52



WCC9 WeCan® Control
Page 55

L360 Series Super-LED® Beacons

Features:

- SAE Class 1 Certified (amber).
- L31 is certified to meet California Title XIII, Table 4 requirements.
- Heavy-duty powder coated die-cast base.
- Alternately or simultaneously flash multiple patterns (Cross-Link™) with up to 8 Whelen Super-LED 360° beacons (perm mount).
- Includes 4 simulated rotating patterns and cruise light (perm mount).

Warranty:

- LED = 5 year



Available Colors

Models Replace asterisk in model number with desired color. A = Amber, C = Clear

Model No.	Mount	Profile	Base	Amps	FPM	VDC	Control
L31H*F	permanent	high	die cast aluminum	2 / average 5 / peak	permanent mount 30 built-in Scan-Lock™ flash patterns plus 4 simulated rotating patterns	12	Hi/Low control (perm)
L31H*M	magnetic						
L31H*V	magnetic/suction						
L31HAF4	permanent	low		1 / average 2.5 / peak	magnetic mount 75 SignalAlert™ only	24	
L32L*F	permanent					12	
L32L*M	magnetic						
L32L*V	magnetic/suction					24	
L32LAF4	permanent						

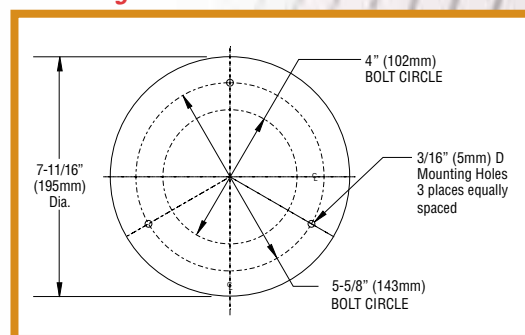
Options

Model No.	Description
L360PMKT	1" NPT pipe mount kit for L31/L32
L360BGB	branch guard kit for L31/L32 allows 1" NPT pole mounting
MIRROR20	West Coast mirror mount brackets
BBKT30	stainless steel shelf mount bracket mounts to flat vertical surface

Replacement Parts

Dome	Use 1 for Amber, 3 for Clear
68-2984063-*0 (high)	
68-2984099-*0 (low)	

Mounting

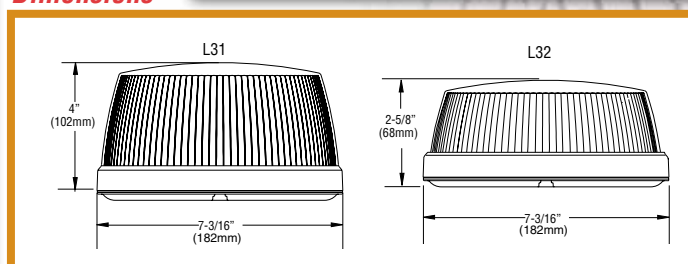


BBKT30 flat vertical surface mounting bracket



MIRROR20 mirror mount brackets

Dimensions



L40 Series Super-LED® Beacons

Features:

- L41 is SAE Class 1 Certified (amber).
- L40 meets Class 1 and California Title XIII (amber).
- Medium profile, smooth polycarbonate outer dome, universal application.
- Encapsulated electronics for moisture and vibration resistance.
- Zero EMI radiation.
- 50,000 hour rated life.
- Permanent mount model allows for permanent flat mount, J-Hook mount, or 1" NPT pipe mounting.
- Supplied with five wire, 6" pigtail (Hi/Low, Scan-Lock™ and sync wire).
- Magnetic and magnetic/suction mount models supplied with 10' straight cord and cigar plug with LED indicator On/Off switch plus pattern control switch.

Warranty:

- LED = 5 year



L40AP

Available Colors

Models Replace asterisk in model number with desired color. A = Amber, C = Clear

Model No.	Mount	Base	Amps	FPM	VDC	Control
L40*P	permanent	cast aluminum powder coated	2.0 peak/0.8 avg. 12 V	75 SignalAlert™ default	12/24	Photocell Hi/Low on permanent mount only
L40*M	magnetic		1.0 peak/0.4 avg. 24V			
L40*V	magnetic/suction		1.5 peak/0.6 avg. 12 V	25 total selectable including steady-burn		
L41*P	permanent					
L41*M	magnetic					
L41*V	magnetic/suction		.75 peak/0.3 avg. 24V	Contact factory		

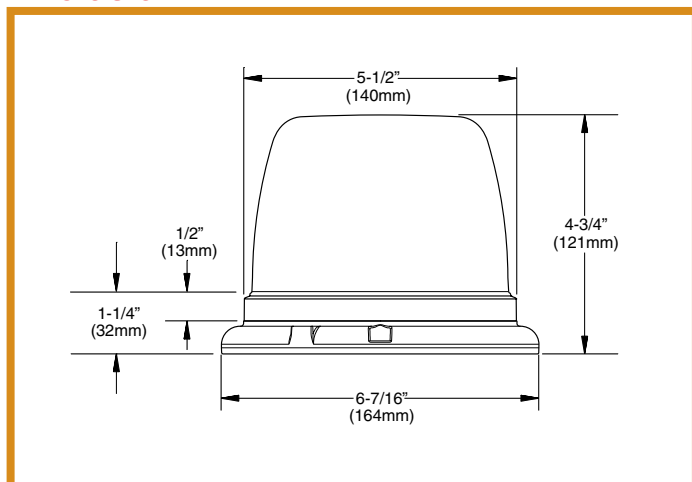
Options

Model No.	Description
BBKT20	stainless steel shelf mount bracket mounts to flat vertical surface
MIRROR20	West Coast mirror mount brackets

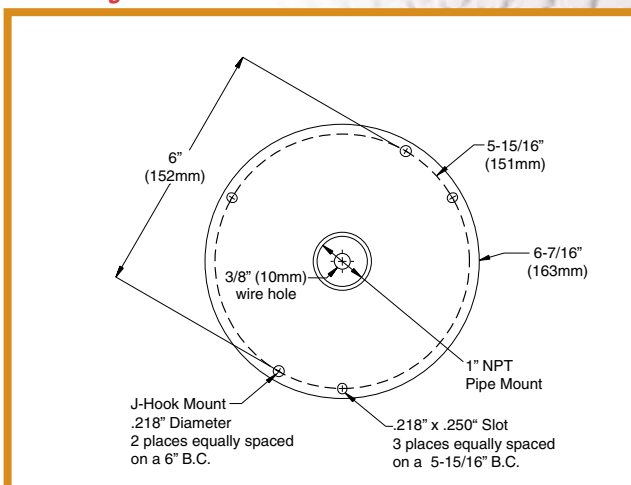


MIRROR20 West coast mirror mount brackets mounts directly on existing mirror brackets.

Dimensions



Mounting



L10 Series Super-LED® Beacons



Features:

- SAE Class 1 Certified (amber).
- Economical LED amber beacons.
- Eighteen total flash patterns including steady-burn.
- High and low domes, amber only.
- Permanent, magnetic and magnetic/suction mounts.
- Virtually no EMI radiation.

Warranty:

- LED = 5 year



Available Color

Models

Model No.	Mount	Profile	Base	Amps	FPM	VDC	Color	Class
NEW!! L10HAP	permanent/pipe/hook	high	polycarbonate	1.0 / peak 0.4/ avg.	75 SignalAlert™	12	amber	Class 1
NEW!! L10HAP4						24		
NEW!! L10HAM	magnetic	12						
NEW!! L10HAV	magnetic/suction							
NEW!! L10LAP	permanent/pipe/hook	low				24		
NEW!! L10LAP4						12		
NEW!! L10LAM	magnetic	12						
NEW!! L10LAV	magnetic/suction							

Options

Model No.	Description
MIRROR20	West Coast mirror mount bracket
BGH	branch guard, high dome

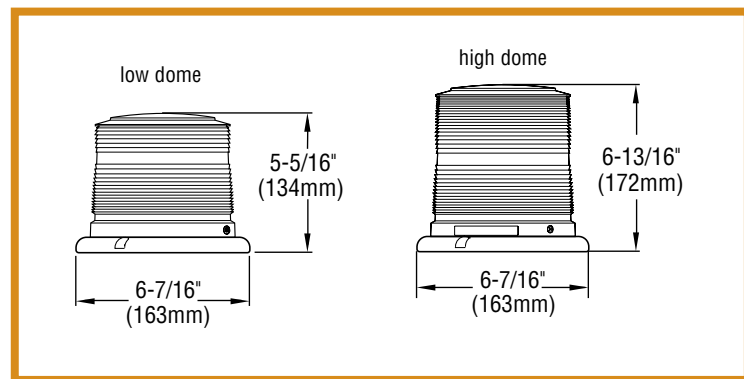


MIRROR20
West coast
mirror mount
brackets
mount directly
on existing
mirror brackets.

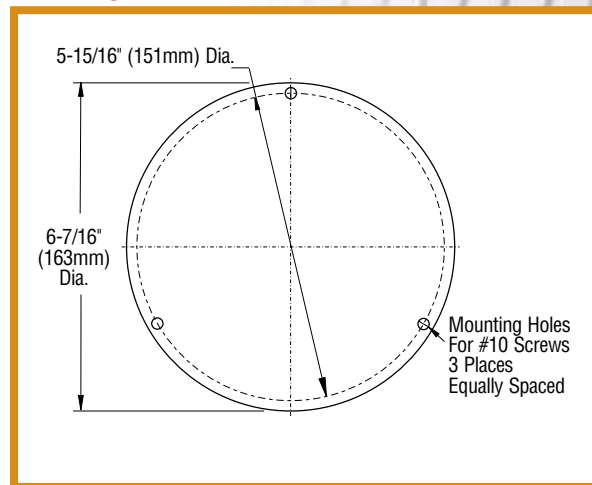
Replacement Parts

Model No.	Dome
DH2000A	high dome
DL2000A	low dome

Dimensions



Mounting



L21 & L22 Series Encapsulated Super-LED® Beacons

Features:

- Combination mounting: permanent, pipe (1" NPT) and J-hook supplied with 6" pigtail.
- Virtually no EMI radiation.
- Combination mount available with photocell Hi/Low, contact factory.
- 25 built-in Scan-Lock™ flash patterns plus SignalAlert™ default pattern.



L21

- SAE Class 1 Certified (amber).
- Magnetic mounts supplied with 10' straight cord and cigar plug with LED indicator On/Off switch plus pattern control switch.

L22

- SAE Class 2 Certified (amber).
- Magnetic mounts supplied with 10' straight cord and cigar plug with LED indicator On/Off switch.

Warranty:

- LED = 5 year

Models

Replace asterisk in model number with desired color. A=Amber, B=Blue, C=White, G=Green, R=Red

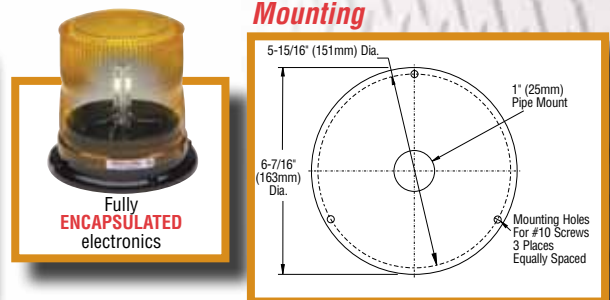
Model No.	Mount	Profile	Base	Amps	FPM	SYNC.	VDC	Colors	SAE	
L21H*P	combination	high	poly-carbonate	1.5 / peak 0.60 / average 12 VDC	25 Scan-Lock patterns including steady-burn	yes	12	amber & white	J845 Class 1 360° (amber)	
L21H*M	magnetic					-				
L21H*V	magnetic/suction					-				
L21L*P	combination	low				0.75 / peak 0.30 / average 24 VDC	yes			12
L21L*M	magnetic						-			
L21L*V	magnetic/suction					-				
L21L*P4	combination			yes	24					
L22H*P	combination	high	poly-carbonate	0.65 / peak 0.26 / average 12 VDC	25 Scan-Lock patterns including steady-burn	yes	12	all 5 safety	J845 Class 2 360° (amber)	
L22H*M	magnetic					-				
L22H*V	magnetic/suction					-				
L22L*P	combination	low				0.32 / peak 0.13 / average 24 VDC	yes			12
L22L*M	magnetic						-			
L22L*V	magnetic/suction					-				
L22L*P4	combination			yes	24					



Note: L22 magnetic and magnetic/suction mounts do not include synchronization or pattern control capabilities.

Options

Model No.	Description
BBKT20	stainless steel shelf mount bracket mounts to flat vertical surface
MIRROR20	West Coast mirror mount brackets
MMK	magnetic kit with 8' cord & plug
BGH	branch guard, high dome
BGL	branch guard, low dome
LSK	lighted switch kit mounted on bracket, wired & fused



Replacement Parts

Dome
DH2000* (High)
DL2000* (Low)

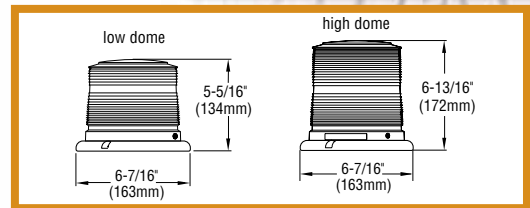


BBKT20 flat vertical surface mounting bracket



MIRROR20 West Coast mirror mount brackets, mount directly on existing mirror brackets.

Dimensions



L50 Series Super-LED® Beacons

Features:

- SAE Class 1 Certified (L51 Series).
- SAE Class 2 Certified (L52 Series).
- SAE Class 3 Certified (L53 Series).
- Super-LEDs are rated for 100,000 hours of operation.
- Twist-off polycarbonate dome.
- Full reverse polarity protection.
- Permanent mount supplied with 6" pigtail.
- Magnetic mount has 8' straight cord with cigar plug with LED indicator On/Off switch and pattern control switch.

Warranty:

- LED = 5 year



Available Colors - L53 L51/L52

Models

Replace asterisk in model number with desired color. A = Amber, C = White

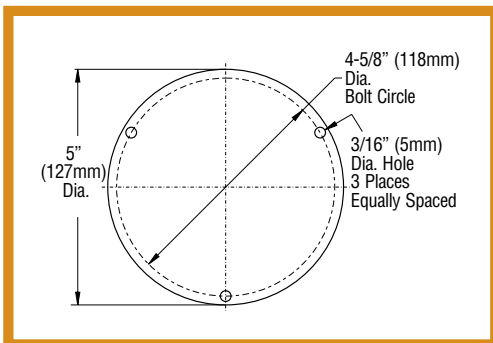
Model No.	Tech-nology	Mount	Base	Amps	VDC	FPM	Encap-sulated	Colors	SAE	
L51*P	Super-LED	permanent	poly-carbonate	1.5 / peak 0.6 / avg	12	75 SignalAlert™	yes	amber & white	Class 1	
L51*M		magnetic								
L52*P		permanent		0.75 / peak 0.3 / avg					75 SignalAlert™	Class 2
L52*M		magnetic								
L53AP		permanent		0.15		75 SignalAlert		-	amber only	Class 3 (amber)
L53AM		magnetic								

Options

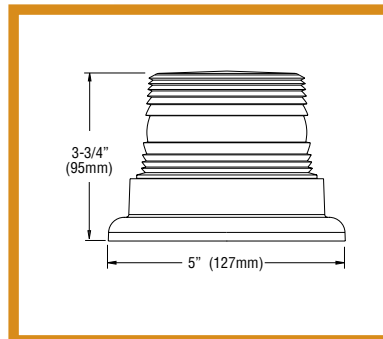
Model No.	Description
MIRROR15	West Coast mirror mount bracket
BBKT15	stainless steel shelf mount bracket mounts to flat vertical surface



Mounting



Dimensions



2015 Series Strobe Beacons

Features:

- SAE Class 2 Certified (all colors).
- Reverse polarity protection.
- Fully enclosed base protects against moisture and vibration.
- Silicone coated power supplies provide protection against the elements.
- Easy access for modular parts replacement.
- Magnetic mount supplied with 8' cord and cigar plug.

Warranty:

- Power supply = 2 year
- Flash tube = 6 months



Available Colors

Models Replace asterisk in model number with desired color. A = Amber, C = White, R = Red, B = Blue, G = Green

Model No.	Mount	Profile	Base	Watts	Joules	FPM	VDC	Other
2015LP*	perm/pipe	low	polycarbonate	22 input	13	72 QuintFlash™ default; DoubleFlash, RapidRandom™ & ActionFlash™ also built-in	12/24	manual Hi/Low control
2015LP*M	magnetic							
2015LP*V	magnetic/suction							
2015HP*	perm/pipe	high						
2015HP*M	magnetic							
2015HP*V	magnetic/suction							

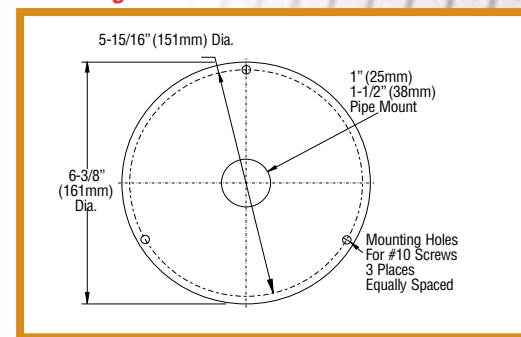
Options

Model No.	Description
MMK	magnetic kit with 8' cord & plug
DCH	dust cover (high dome only)
BGL	branch guard, low dome
BGH	branch guard, high dome
LSK	lighted switch kit
MIRROR20	West Coast mirror mount bracket
BBKT20	stainless steel shelf mount bracket mounts to flat vertical surface
FT10A	3-Pin "U" strobe tube, plug-in, each

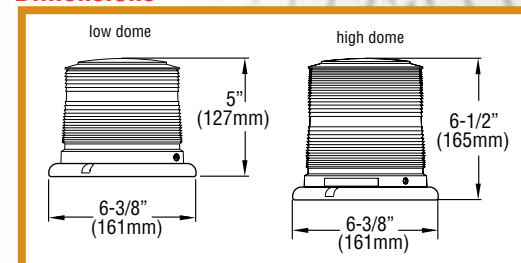
Replacement Parts

Dome	Flash Tube
DH2000* (high)	FT10A
DL2000* (low)	

Mounting



Dimensions



MIRROR20 West Coast mirror mount brackets, mount directly on existing mirror brackets.



BBKT20 flat vertical surface mounting bracket

Ready to switch to LED? See Pages 9 & 10!

2022 Series Strobe Beacons

Features:

- SAE Class 1 Certified (amber & clear).
- Reverse polarity protection.
- Fully enclosed base protects against moisture and vibration.
- Silicone coated power supplies provide protection against the elements.
- Easy access for modular parts replacement.
- Magnetic mount supplied with 8' cord and cigar plug.

Warranty:

- Power supply = 2 year
- Flash tube = 6 months



Models Replace asterisk in model number with desired color. A = Amber, C = White, R = Red, B = Blue, G = Green

Model No.	Mount	Profile	Base	Watts	Joules	FPM	VDC	Control	
2022LP*	perm/pipe	low	polycarbonate	32 input	19	72 QuintFlash™ default; DoubleFlash, RapidRandom™ & ActionFlash™ also built-in	12/24	manual Hi/Low control	
2022LP*M	magnetic								
2022LP*V	magnetic/suction								
2022HP*	perm/pipe	high		22 output					auto Hi/Low control
2022HP*M	magnetic								
2022HP*V	magnetic/suction								
2022AP*	perm/pipe								

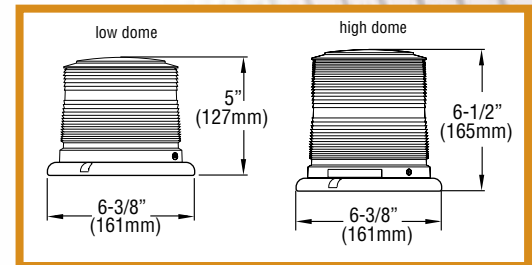
Options

Model No.	Description
MMK	magnetic kit with 8' cord & plug
DCH	dust cover (high dome only)
BGL	branch guard, low dome
BGH	branch guard, high dome
LSK	lighted switch kit
MIRROR20	West Coast mirror mount bracket
BBKT20	stainless steel shelf mount bracket mounts to flat vertical surface
FT20A	3-Pin Helix 1-1/2 trun strobe tube, plug-in, each

Replacement Parts

Dome	Flash Tube
DH2000* (high)	FT20A
DL2000* (low)	

Dimensions

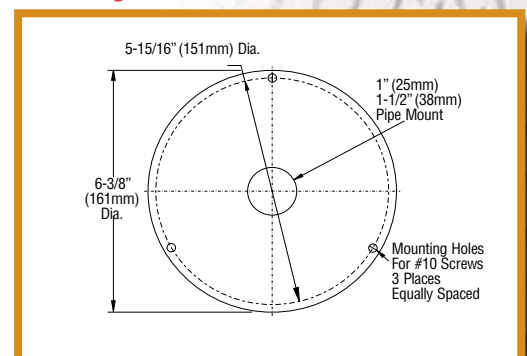


MIRROR20 West Coast mirror mount brackets, mount directly on existing mirror brackets.



BBKT20 flat vertical surface mounting bracket

Mounting



Ready to switch to LED? See Pages 9 & 10!

800D & 1200D Series HDP® Strobe Beacons

Features:

- SAE Class 1 Certified (amber & clear).
- 80 CometFlash® per minute, standard, multiple flash patterns available.
- Combination mounting: permanent/pipe mount or spade bolt mount.
- High-gain, self-cleaning, aerodynamic high profile dome.
- Low profile double fresnel optic dome.
- Magnetic mount supplied with 8' cord and cigar plug.

Warranty: HDP® Heavy-Duty Professional

- Power supply = 5 year
- Flash tube = 2 year



Available Colors

Models

Replace asterisk in model number with desired color. A = Amber, C = White

Model No.	Model	Mount	Profile	Base	Watts	Joules	FPM	VDC	Control
800DL*P	800D	perm/pipe	low	cast aluminum	36 input 25 output	19	80 CometFlash multiple flash patterns available	12/24	manual Hi/Low control
800DL*M		magnetic							
800DH*P		perm/pipe	high						
1200DH*P	1200D	perm/pipe	high/ high riser base						

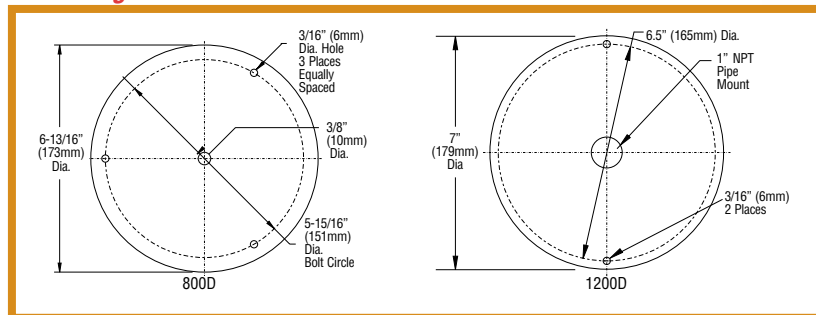
Options

Model No.	Description
MMK	magnetic kit with 8' cord & plug
BGL	branch guard, low dome (800D only)
800BGH	branch guard, high dome (800D only)

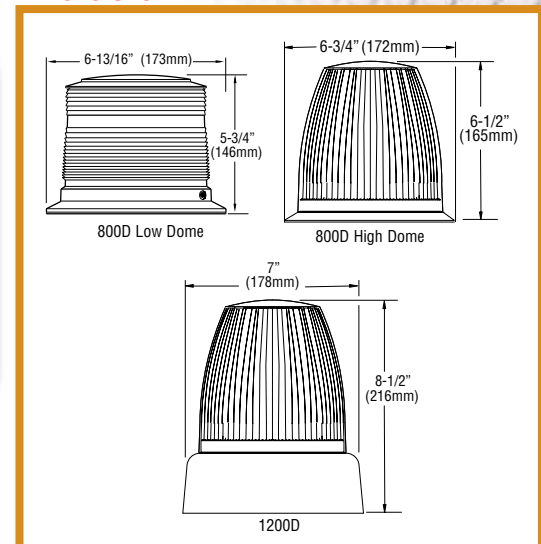
Replacement Parts

Dome	Flash Tube
HGDOMEH* (high)	80DTUBE
DL2000* (low) 800 only	

Mounting



Dimensions



Ready to switch to LED? See Pages 7-11!

S360D Super Strobe® Series HDP® Strobe Beacons

Features:

- SAE Class 1 and California Title XIII Certified (amber & clear).
- 80 CometFlash® per minute, standard, multiple flash patterns available.
- Combination mounting: permanent/pipe mount or spade bolt mount.
- Features CROSS-LINK® Strobe Synchronization. Up to four S360 beacons can be connected to work as one system and configured to flash in an alternating or simultaneous pattern.
- Self-cleaning, smooth outer surface resists dirt build-up.

Warranty: HDP® Heavy-Duty Professional

- Power supply = 5 year
- Flash tube = 2 year



Available Colors

Models Replace asterisk in model number with desired color. A = Amber, C = White

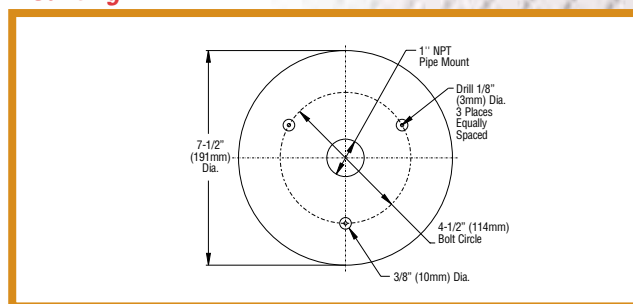
Model No.	Mount	Base	Watts	Joules	FPM	VDC	Control
S360D*P	perm/pipe	cast aluminum	43 input	24	80 CometFlash	12/24	Hi/Low control
S360D*B	branch guard		30 output		multiple flash patterns available		



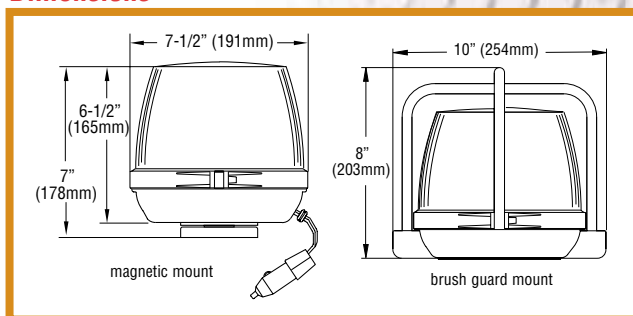
Replacement Parts

Dome	Flash Tube
68-2180347-*0	SSTUBE

Mounting



Dimensions



Ready to switch to LED? See Page 7!

RB6 Rota-Beam™ Rotating Halogen Beacon

Features:

- SAE Class 1 Certified (amber).
- Rotating halogen beacons.
- Rugged double roller bearing motor assembly providing superior durability and quiet operation.
- Magnetic mount supplied with 8' cord and cigar plug.

Warranty:

- Motor assembly = 3 year



Available Colors

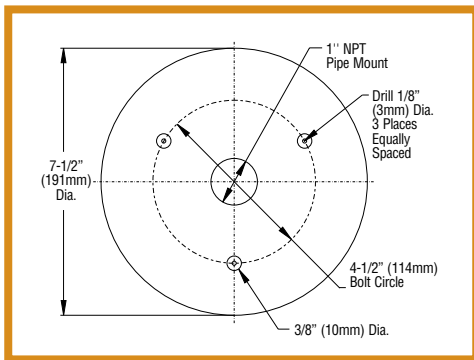
Models Replace asterisk in model number with desired color. A = Amber, C = White

Model No.	Model	Mount	Base	Amps	Candlepower	VDC	FPM	Bulb
RB6P*P	RB6 Rota-Beam	perm/pipe	polycarbonate	4.5	110,000	12	150 single reflector	50 watt snap-in
RB6P*M		magnetic						
RB6T*P		perm/pipe			60,000		130 dual reflector	60 watt snap-in

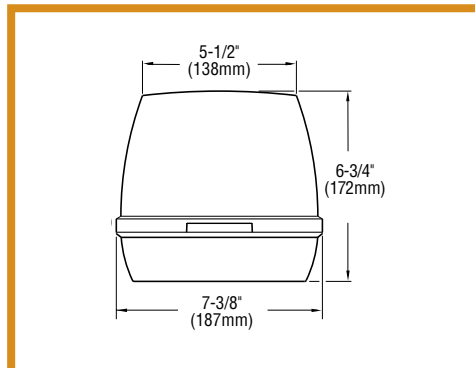
Options

Model No.	Description
KCF*	color filter kit, customer installed for use with clear outer dome (RB6P only)
RB6CF*	color filter kit, customer installed for use with clear outer dome (RB6T only)
WMM6K	optional 90# pull magnet mount kit with 8' cord and plug

Mounting



Dimensions



Ready to switch to LED? See Pages 7-11!

SpitFire Plus™

Features:

- SAE J845 Class 1 Certified.
- LINZ6™ Super-LED® interior dash and deck light with low current draw.
- Fully encapsulated electronics for moisture and vibration protection.
- Includes integral hood, two suction cups, 10' cord with cigar plug with On/Off switch and pattern control switch.

Warranty:

- LED = 5 year



Available Colors

Models Replace asterisk in model number with desired color. A = Amber, C = White

Model No.	Lamp	Diodes	VDC	Flash Patterns	Size
SFP1*	Single color	6	12	69	1-9/16" (40mm) H x 3-1/2" (89mm) D x 4-3/8" (111mm) W
SFP1F	Split color amber/white				

SpitFire™ ION™

Features:

- Super tough ultra compact interior use Super-LED light.
- 8' straight cord with cigar plug, On/Off switch with LED "On" indicator and Scan-Lock pattern switch.
- Includes universal bracket, windshield suction cup mount.

Warranty:

- LED = 5 year



Available Colors

Model Replace asterisk in model number with desired color. A = Amber, C = Clear/White

Model No.	Lamp	Amps	VDC	Flash Patterns	Size
SFION*	Super-LED	0.40/avg 1/peak	12	25 Scan-Lock™	1-5/8" (41mm) H x 3-3/8" (86mm) D x 5-1/8" (130mm) W

Avenger™

Features:

- SAE J845 Class 1 Certified.
- Single or dual Linear Super-LED interior lightheads.
- Swivel/bail bracket with three suction cups.
- Snap-on polycarbonate hood.
- AVN models have 10' cord with cigar plug with On/Off switch and pattern selection switch.

Warranty:

- LED = 5 year

Models Replace asterisk in model number with desired color. A = Amber, C = Clear



Available Colors

Model No.	Lamp	Cable	VDC	Flash Patterns	Size (with shroud)
AVN1*	single	cigar plug	12	27	2" (50mm) H x 5-1/2" (140mm) D x 5" (127mm) L
AVN2**	dual			54	2" (50mm) H x 5-1/2" (140mm) D x 9-3/4" (248mm) L
AVNS1*	single	synchronized with 4 wire pigtail		34	2" (50mm) H x 5-1/2" (140mm) D x 5" (127mm) L
AVNS2**	dual			69	2" (50mm) H x 5-1/2" (140mm) D x 9-3/4" (248mm) L

Options

Model No.	Description
AVNBKT1	Low profile mounting bracket for AVN1
AVNBKT2	Low profile mounting bracket for AVN2

Model No.	Description
AVNBKT3	Visor mounting bracket (2 required for dual unit)
AVNBKT4	Adjustable height bracket kit for all models

FlatLighter™

Features:

- SAE J845 Class 2 Certified.
- Interior use LED model.
- Designed to mount onto a visor and includes Velcro mounting straps.
- 8' straight cord with cigar plug.

Warranty:

- LED = 5 year

Models

Replace asterisks in model number with desired colors. A = Amber, C = Clear/White

Model No.	Lamps	Amps	VDC	Patterns	Size
FLLED**	dual 5mm LED	0.8	12	21 flash patterns	4-1/2" (114mm) H x 1-1/4" (32mm) D x 13" (330mm) L

Options

Model No.	Description
43LENSA	400 Series amber lens

SlimLighter™

Features:

- Meets SAE Class 1 requirements.
- Interior use only.
- Swivel bracket for permanent or suction cup mounting included.
- Built in pattern selection button, 10' straight cord w/cigar plug, On/Off switch with LED "On" indicator

Warranty:

- LED = 5 year

Model

Replace asterisk in model number with desired color. A = Amber, C = Clear/White

Model No.	Lamp	VDC	Amps	Flash Patterns	Other
SLPMM**	TIR6™ Super-LED®	12	0.6/avg 1.5/peak	21 Scan-Lock™	2" (52mm) H x 1-3/16" (46mm) D x 16-3/8" (416mm) L

Option

Model No.	Description
SLPBKT1	bail mounting bracket for rear deck or headliner

Slim-Miser™

Features:

- 60 brilliant 5mm LEDs for interior use.
- Swivel mount with 3 suction cups securely hold dash light to windshield minimizing flashback.
- Change flash patterns via push button on back of product.
- 10' straight cord with cigar plug, On/Off switch and LED "On" indicator.

Warranty:

- LED = 5 year

Model

Model No.	Lamp	Amps	VDC	Flash Patterns	Size
SMLLAA	LED	0.10/avg 0.33/peak	12	18 Scan-Lock™	1-5/8" (42mm) H x 2-3/4" (70mm) D x 12-7/8" (326mm) L.



FLLEDAA

Available Colors



SLPMAA

Available Colors



SMLLAA

Available Colors

ION™ Universal Mount

Features:

- Ultra compact water-resistant Super-LED® for interior or exterior use.
- Available in single or split colors.
- **NEW** Wide angle models and white housings.
- Supplied with 6" pigtail.
- Synchronizable to other like Whelen Sync products.
- Universal mount bracket and secure double stick tape mounting.

Warranty:

- LED = 5 year



Available Colors

Models

* Replace with color desired: A=Amber, C=White

Model No.	Lamp	Lamp Type	Color	Amps	VDC	Housing Color	Flash Patterns	Size
ION*	Super-LED	directional	single color amber or white	0.40/avg 1/peak	12	black	25 Scan-Lock™	7/8" (22mm) H x 1-1/4" (32mm) D x 4" (101mm) W
IONW*						white		
WION*		wide angle				black		
WIONW*						white		

Options

Model No.	Description
IONK1W	Swivel mount bracket, white
IONK1B	Swivel mount bracket, black
IONGROM	Grommet mount kit
IONPEDB	Black pedestal mount
IONPEDC	Chrome plated pedestal mount



IONPEDB

Micro Lightheads

Features:

- Certified as a system component to SAE & California Title III specifications.
- Lightheads are designed to be used in pairs.
- Heavy-duty extruded aluminum frame with color outer lens.
- Optional cable lengths available, contact factory.
- Lightheads provided with bolt mount.

Warranty:

- LED = 5 year

Models

* Replace with color desired: A=Amber, C=Clear

Model No.	Model	Technology	No. of Modules	Profile	FPM	Amps	VDC	Light Output	Cable	Connectors	Size
MCFLED2*	Freedom™	Linear Super-LED®	2	high	75 SignalAlert™ per light module	3.2	12	240°	20' 7-C	AMP Mate-N-Lok®	3-4/4" (95mm) H x 10" (254mm) D x 8" (203mm) W
MCSLED2*	Liberty™			low		3			20' 7-C		2-1/2" (64mm) H x 12" (304mm) D x 9-1/2" (241mm) W



Liberty

Freedom

Available Colors

Options

Model No.	Description
W441DIN	Deutsch® waterproof connector (3 pins) installed on cable
W442DIN	Deutsch waterproof connector (3 sockets) installed on lighthead

Freedom and Liberty lamp configurations



Raider™ Super-LED® Series

Features:

- SAE Class 1 Certified.
- Interior or exterior use.
- Unique slide bolt housing offers versatile mounting, horizontal, vertical or even upside down.
- Pairs of single units may be synchronized to each other or to other Whelen synchronizing products.
- Dual units are synchronized together. Each lighthouse has its own Scan-Lock™ wire for alternate or simultaneous flashing the two lighthouses as well as pattern control.

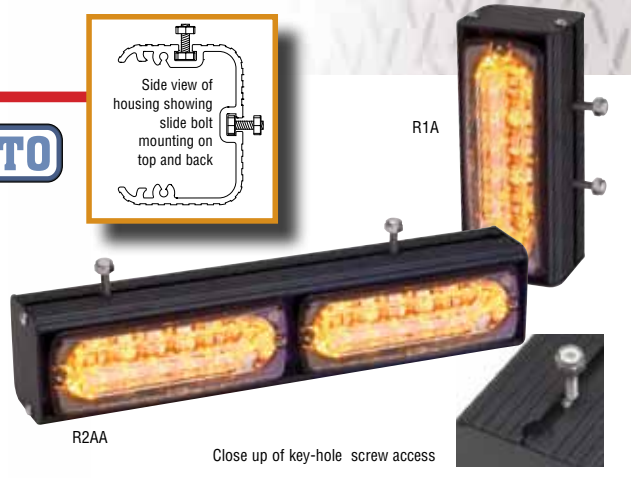
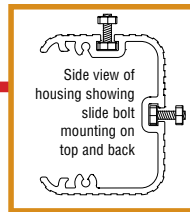
Warranty:

- LED = 5 year

Models

Replace asterisk in model number with desired color. A = Amber, C = Clear

Model No.	Lamps	Amps	VDC	Housing	Cable	FPM	Size
R1*	single 500 Series Linear-LED®	0.16/avg 0.4/peak	12	rugged extruded aluminum	2' 4-C	25 Scan-Lock (seven with phase 1 and phase 2, synchronization, plus eleven other patterns)	2-3/8" (60mm) H x 1-7/8" (48mm) D x 5-1/2" (140mm) L
R2**	dual 500 Series Linear-LEDs	0.32/avg 0.8/peak					2-3/8" (60mm) H x 1-7/8" (48mm) D x 11" (280mm) L



Available Colors

Dominator™ & Dominator Plus™ Super-LED Series

Features:

- SAE Class 1 Certified.
- Low profile surface mount housing with choice of TIR3™ or LINZ6™ modules.
- Interior or exterior use.
- Fully encapsulated and waterproof.
- Internal self-contained electronics.
- Slide bolt mount.
- Small size fits many applications.

Warranty:

- LED = 5 year

Models

Model No.	Lamps	Amps	VDC	Housing	Cable	Connectors	FPM	Size H x D	Length
D2AA	2 TIR3	0.2A/avg 0.44/peak per module	12	rugged extruded aluminum	12" small dia. 4-C #20 AWG	Molex waterproof	7 flash patterns and steady on mode	1-3/16" (35mm) H x 2-3/16" (55mm) D	7" (178mm)
D4AAAA	4 TIR3								14" (356mm)
D6AAAAAA	6 TIR3								21" (533mm)
D800800	8 TIR3								28" (711mm)
DP2AA	2 LINZ6	0.30/avg 0.75/peak per module	12	rugged extruded aluminum	12" small dia. 4-C #20 AWG	Molex waterproof	pairs may be synchronized to each other	1-3/16" (35mm) H x 2-3/16" (55mm) D	7" (178mm)
DP4AAAA	4 LINZ6								14" (356mm)
DP600600	6 LINZ6								21" (533mm)
DP800800	8 LINZ6								28" (711mm)



Dominator TIR3 Lighthouses

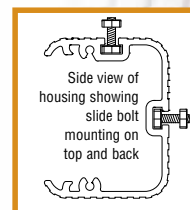


Dominator Plus LINZ6 Lighthouses

Available Color

Options

Model No.	Description
DBKT1	suction cup mount bracket & cigar plug cord kit for D2 series, customer installed
DBKT3	swivel mount bracket kit for D2 & D4 series only, customer installed
DBKT4	"L" angle mounting bracket kit, customer installed



For Dominator and Dominator Plus Traffic Advisors™ see page 29

Guardian™ Mini Lightbars

Features:

- SAE Certifications - see chart.
- Universal permanent mount version easily retrofits most competitive model footprints, as well as Whelen R2DX models.
- Permanent bolt mount versions include 6" pigtail; magnetic mount versions include: four 50 lb. pull magnets, 10' straight cord with in-line fuse and cigar plug with On/Off switch.
- Size: 6-1/4" (150mm) H x 7" (178mm) W x 17-5/16" (440mm) L.

Warranty:

- Strobe = 2 year / Halogen rotator = 3 year



Available Colors

Models Replace asterisk in model number with desired color. A = Amber, C = Clear/White

Model No.	Technology	Mount	Amps	Light Output	VDC	FPM	Mirror	Control	Dome Color	SAE
G1P*	halogen	permanent	9	92,000 beam candlepower	12 (24 available upon request)	135 RPM 540 FPM	diamond	n/a	color outer dome	J845 Class 1 (amber)
G1M*		magnetic								
G1V*		magnetic/suction								
G2P*		permanent								
G2M*		magnetic								
G2V*		magnetic/suction								
G7P*	strobe	permanent	3	12 joules 40 watt output	12/24	120 CometFlash® 480 total	diamond	Hi/Low intensity control (perm only)	color inner domes, clear outer dome	J1318 Class 1 (amber)
G7M*		magnetic								
G7V*		magnetic/suction								
G7PC**		permanent								
G7MC**		magnetic								
G7VC**		magnetic/suction								

Options

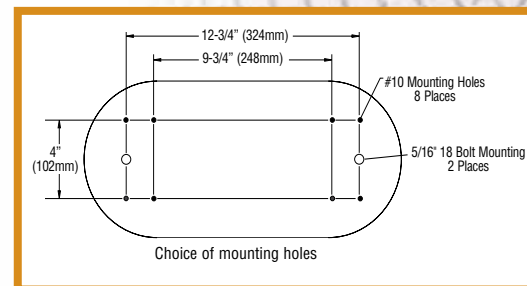
Model No.	Description
G1MM90	90 lb. pull magnet mount kit with cigar plug for G1 and G2
G7MM90	90 lb. pull magnetic mount kit with cigar plug for G7
INSTLRDX	installation of G1MM90 or G7MM90 (for permanent mount only)
KCF*	inner filter kit for G1 & G2 Series, customer installed (clear outer dome only)

Replacement Parts

Model	Dome	Flash Tube	Halogen Bulb	Power Supply
G1 & G2	68-4983857-*0	--	H55H112	--
G7		FT20A	--	01-0264172-00

* Use 1 for Amber, 3 for Clear

Mounting



Responder® Mini Lightbars

Features:

- **SAE Certifications** - see chart.
- **Universal permanent mount version easily retrofits most competitive model footprints.**
- **Permanent bolt mount versions include 6" pigtail; magnetic mount and magnetic/suction versions include: 10' straight cord with cigar plug with LED on indicator, On/Off switch and pattern control switch.**
- **Size: 5-1/8" (130mm) H x 6-5/16" (160mm) W x 17-1/4" (438mm) L.**

Warranty:

- **LED = 5 year / Halogen rotator = 3 year**



Available Colors

Models

Replace asterisk in model number with desired color. A = Amber, C = Clear/White

Model No.	Technology	Mount	Amps	Light Output	VDC	FPM	Base	SAE
R2HDP*	halogen	permanent	9	92,000 beam candlepower	12 (24 optional)	135 RPM 540 FPM	aluminum	J845 Class 1 (amber or clear)
R2HDM*		magnetic						
R10HDP*	Super-LED®	permanent	9.0 peak	-	12	12 Scan-Lock™	aluminum	J845 Class 1 (amber)
R10HDM*		magnetic						
R10HDV*		magnetic/suction	3.6 average			75 SignalAlert™		

Options

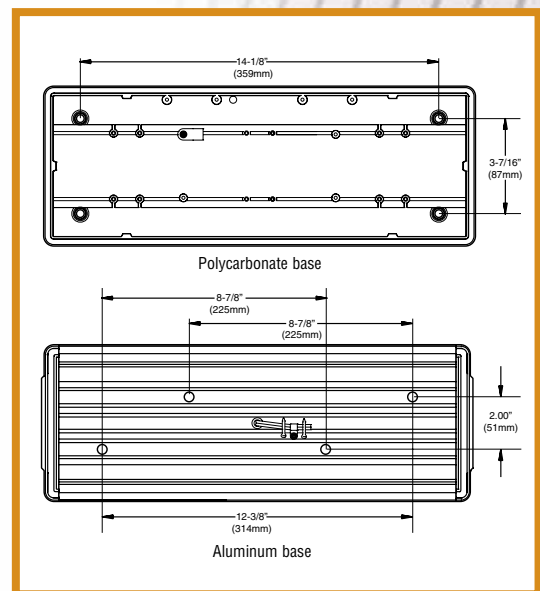
Model No.	Description
RDXMM90	90 lb. pull magnet mount kit with cigar plug
INSTLRDX	installation of RDXMM90 (for permanent mount only)
CFA	amber filter kit for rotators, customer installed (clear outer dome only)

Replacement Parts

Model	Dome	Halogen Bulb
R2HD	68-1181893-*0	H50ASN12
R10HD		--

* Use 1 for Amber, 3 for Clear

Mounting



Responder[®] LP Super-LED[®] Mini Lightbars

Features:

- SAE Class 1 Certified (amber).
- Super-LED[®] low profile linear (LIN6™) or conical (CON3™) mini lightbar.
- Choose heavy-duty extruded aluminum base or standard polycarbonate base.
- Permanent mount versions include 6" pigtail; magnetic mount and magnetic/suction versions include: 10' straight cord and cigar plug and LED indicator On/Off switch and pattern control switch.
- Polycarbonate dome with smooth exterior will not gather dirt and dust.
- DUO™ technology model has different color LEDs in the same module allowing lightbar to flash different colors.

Warranty:

- LED = 5 year

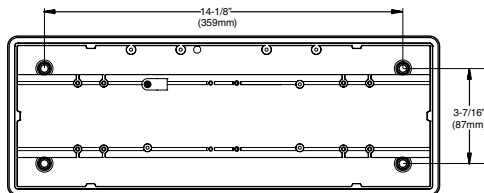


Available Colors

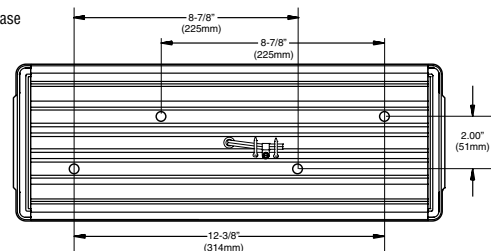
Models

Model No.	Technology	Mount	Base	Color	Dome Color	Amps	VDC	FPM	Size		
R1LPPA	CON3™ Super-LED	permanent	poly-carbonate	amber	amber	3 peak 1.2 average	12 (24V available in R2LPP R2LPM models)	30 Scan-Lock™ patterns including 4 simulated rotating patterns (perm mount only)	2-7/8" (74mm) H x 6-5/16" (160mm) W x 17" (432mm) L		
R1LPPCA					clear						
R1LPMA					amber						
R1LPMCA		clear									
R1LPVA		amber									
R1LPVCA		clear									
R1LPHPA		magnetic/suction	aluminum	amber							
R1LPHPCA				clear							
R1LPHMA				amber							
R1LPHMCA		clear									
R1LPHVA		amber									
R1LPHVCA		clear									
R1LPPF	LIN6™ Super-LED	permanent	poly-carbonate	split color amber/white	clear	6 peak 2.4 average	12 (24V available in R2LPP R2LPM models)	33 Scan-Lock™ patterns	2-7/8" (74mm) H x 6-5/16" (160mm) W x 17" (432mm) L		
R1LPMF					clear						
R1LPVF					clear						
R2LPPA		magnetic			aluminum					amber	
R2LPPCA										clear	
R2LPMA										amber	
R2LPMCA		clear									
R2LPVA		magnetic/suction	aluminum	amber							
R2LPVCA				clear							
R2LPHPA				amber							
R2LPHPCA		clear									
R2LPHMA		amber									
R2LPHMCA	clear										
R2LPHVA	amber										
R2LPHVCA	clear										
R2LPPF	permanent	poly-carbonate	split color amber/white	clear	6 peak 2.4 average	12 (24V available in R2LPP R2LPM models)	33 Scan-Lock™ patterns	2-7/8" (74mm) H x 6-5/16" (160mm) W x 17" (432mm) L			
R2LPMF				clear							
R2LPVF				clear							
RDLPPAB	DUO™ LIN6 Super-LED	permanent		DUO amber/blue							

Polycarbonate base



Aluminum base



Century™ Super-LED® Mini Lightbars

Features:

- SAE Class 1 Certified.
- Extruded aluminum platform for rugged, long-life dependability.
- Standard current switching with Scan-Lock™ flash patterns and pattern override.
- Low profile with compression fit gasket for superior moisture resistance.
- Clip-Lock™ system allows easy removal of lightbar domes.
- Pre-configured lightbars, no lighting options available.

Warranty:

- LED = 5 year



Available Colors

Models Replace asterisk in model number with desired color. A = Amber, C = Clear

Model No.	Technology	Inboard Modules	Mount	Amps	VDC	FPM	Dome Color	Base	Size
MC11PA	linear Super-LED corners TIR6 Super-LED inboards	2 TIR6	permanent	3.6 peak 2.2 average	12	17 flash patterns	amber NOTE: also available with clear domes. Use "CA" suffix or contact factory	extruded aluminum platform	2-1/2" (64MM) H x 7-1/2" (191MM) W x 11" (279mm) L
MC11MA			magnetic						
MC11SA			stud						
MC16PA		4 TIR6	permanent	4.8 peak 3 average					2-1/2" (64MM) H x 7-1/2" (191MM) W x 16" (406mm) L
MC16MA			magnetic						
MC16VA			magnetic/suction						
MC16SA		8 TIR6	stud	7.2 peak 4.4 average					2-1/2" (64MM) H x 7-1/2" (191MM) W x 23" (584mm) L
MC23PA			permanent						
MC23MA			magnetic						
MC23VA		magnetic/suction							
MC23SA		stud							

NEW!!
NEW!!
NEW!!
NEW!!
NEW!!
NEW!!
NEW!!
NEW!!
NEW!!
NEW!!
NEW!!
NEW!!

Freedom™ Super-LED® Mini Lightbars

Features:

- SAE Class 1 Certified.
- Permanent mount includes MKEZ7 mounting kit.
- 15' cable standard.
- Magnetic mount versions include: four 90 lb. pull magnets, 8' straight cord and cigar plug.
- Freedom models can add up to 4 additional inboard Super-LED modules, halogen work lights and alley lights.

Warranty:

- LED = 5 year



FT8AAAAP with optional FTDA A

Available Colors

Models Replace asterisk in model number with desired color. A = Amber, C = Clear

Model No.	Technology	Mount	Amps	VDC	FPM	Base	Lens	Size
FT8****P	linear Super-LED	permanent	4 amps	12	13 Scan-Lock™ with external control	extruded aluminum I-Beam	clear outer lens	3-3/4" (95mm) H x 12" (304mm) W x 28-1/4" (717mm) L
FT8****M		magnetic						

Options

Model No.	Description
FTALY	two halogen alley lights for perm mount only
FTTD2	two halogen work lights for perm mount only

Model No.	Description
FTD**	two 400 Series Linear Super-LED modules
FTD****	four 400 Series Linear Super-LED modules

Liberty™ Super-LED® Mini Lightbars

Features:

- SAE Class 1 Certified.
- Permanent mount includes MKEZ7 mounting kit.
- All models include 15 foot straight cord and cigar plug.
- Magnetic mount versions include four 90 lb. pull magnets.
- Clear outer lenses standard (optional color lenses available).

Warranty:

- LED = 5 year

Models

Replace asterisk in model number with desired color. A = Amber, C = Clear/White

Model No.	Technology	Mount	Amps	VDC	FPM	Base	Size
LT2****P	linear Super-LED	permanent	4.5 peak 1.8 average	12	75 SignalAlert™ patterns	extruded aluminum	2-1/2" (64mm) H x 12" (304mm) W x 22" (558mm) L
LT2****M		magnetic					

Options

Model No.	Description
LTALY	two halogen alley lights
LTTD1	one front facing halogen take-down light



LT2AAAAM

Available Colors

Justice® Super-LED® Mini Lightbars

Features:

- SAE Class 1 Certified.
- Super-LED CON3™ modules and Linear Super-LED corners.
- Permanent models come with 15' cable, Magnetic and Magnetic/Suction mount with 10' cord, cigar plug with On/Off switch with LED "On" indicator, and Scan-Lock™ flash pattern switch.
- Low profile, only 2-1/4" high.

Warranty:

- LED = 5 year

Models

Replace asterisk in model number with desired color. A = Amber, C = Clear

Model No.	Technology	Mount	Amps	Light Output	VDC	FPM	Base	Lens	Size
MJY****P	CON3 Super-LED	permanent	4 / peak 1.6 / avg. (4 corners only)	SAE Class 1	12	95 Scan-Lock patterns	extruded aluminum	clear outer lens	2-1/4" (57mm) H x 12" (304mm) W x 22" (558mm) L
MJY****M		magnetic							
MJY****V		magnetic/suction							

Options

Model No.	Description
JDC*	one CON3 Super-LED module
JDH*	one LTR3™, Super-LED module. For use with MJTDAL only

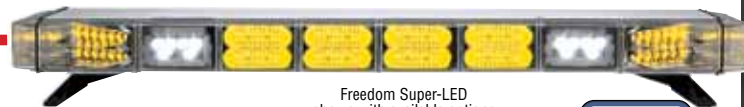


MJYAAAAM with four optional JDCA inboard corner modules

Available Colors

Model No.	Description
MJTDALL1	four LR11 Super-LEDs, two steady-burn take downs, and steady burn alley lights with 15° horizontal adjustment, for permanent models only. (Replaces MJTDAL)

Freedom™ Super-LED® Lightbars



Features:

- **SAE Class 1 Certified.**
- **Add Linear-LEDs in pairs to a total of 16 modules.**
- **Many options available; consult price list and/or WeCad software.**
- **Optional slide bolt or 5" riser mount available.**
- **15' passenger side cable, optional 25' driver side exit.**
- **Super-LED rivals strobe in intensity with only 30% of strobe amp draw.**

WeCan™ models available, contact factory.

WeCan models allow for front and rear Traffic Advisor™ function.

Warranty:

- **LED = 5 year**

Available Colors

Models

Replace asterisk in model number with desired color. A = Amber, C = Clear/White

Model No.	Technology	Lighting	Mount	Amps	VDC	FPM	Base	Lenses	Size H x D	Length
FL4****	linear Super-LED	standard corner modules	MKEZ7 permanent	4 / peak 1.6 / average	12	75 SignalAlert™ per head (default pattern) 21 Scan-Lock patterns	heavy-duty extruded aluminum I-Beam	clear outer standard, optional color available	3-3/4" (95mm) H x 10" (254mm) D	44-3/8" (113cm)
FL8****										49-3/4" (126cm)
FL2****										55-1/8" (140mm)
FX4****		extended corner modules	Adjustable mount MKAJ available	4.92 / peak 1.97 / average						44-3/8" (113cm)
FX8****										49-3/4" (126cm)
FX2****										55-1/8" (140mm)

Note:

All lightbars require a Lightbar WeCad™ form with order. The Lightbar WeCad Program allows customers to describe the details of a lightbar. Lightbar WeCad will display all possible options and mounting kits for a lightbar and the current list price for those options.

The WeCad program is available at: www.whelen.com/downloads/index.htm

See Page 55 for Power Control Centers and Switches

Justice® Super-LED® Lightbars



Justice shown with optional inboard modules and work lights

Features:

- SAE Class 1 Certified.
- CON3™ directional modules have removable optic spreading filter.
- Center section available with single Linear6™, CON3 or two LTR3s™ (for split color center section).
- Front, rear and all bar operation control, optional Scan-Lock™ flash patterns, low power and pattern override feature.
- Service oriented. Change colors, upgrade or service lightbar in the field.
- 15' passenger side exit cable.
- Many options available; consult price list and/or WeCad™ software.

Warranty:

- LED = 5 year

WeCan™ models available, contact factory.

WeCan models allow for front and rear Traffic Advisor™ function.

Available Colors

Models

Replace asterisk in model number with desired color. A = Amber, C = Clear/White

Model No.	Technology	Mount	Inboard Lighting	Control	VDC	FPM	Base	Lenses	Size H x D	Length
JC4****	4 extended Linear-LED® corners	permanent MKEZ7	optional CON3 modules	front/rear & all bar control	12	multiple flash patterns	black polycarbonate on extruded aluminum platform	clear outer standard color lenses available	2-1/4" (57mm) H x 12" (304mm) D	44" (112cm)
JC8****		Adjustable MKAJ available								50-1/8" (132cm)
JC2****										56-1/4" (152cm)
JE4****	4 standard Linear-LED corners	Adjustable MKAJ available	optional CON3 modules	front/rear & all bar control	12	multiple flash patterns	black polycarbonate on extruded aluminum platform	clear outer standard color lenses available	2-1/4" (57mm) H x 12" (304mm) D	44" (112cm)
JE8****										50-1/8" (132cm)
JE2****										56-1/4" (152cm)

Liberty™ Super-LED® Lightbars



LFL Liberty shown with optional inboard modules and work lights

Features:

- SAE Class 1 Certified.
- Add Linear-LEDs® in pairs to a total of 16 modules.
- Front, rear and all bar operation control, optional Scan-Lock™ flash patterns, low power and pattern override feature.
- Service oriented. Change colors, upgrade or service lightbar in the field.
- 15' passenger side exit cable.
- Many options available; consult price list and/or WeCad software.

Warranty:

- LED = 5 year

WeCan™ models available, contact factory.

WeCan models allow for front and rear Traffic Advisor function.

Available Colors

Models

Replace asterisk in model number with desired color. A = Amber, C = Clear/White

Model No.	Technology	Mount	Inboard Lighting	Control	VDC	FPM	Base	Lenses	Size H x D	Length
SX4****	4 extended Linear-LED corner modules	permanent MKEZ7	Linear-LED modules in pairs (up to 12 optional modules)	front/rear & all bar control	12	75 SignalAlert™ default: 21 Scan-Lock patterns	extruded aluminum top and base	standard color lenses available	2-1/2" (64mm) H x 12" (304mm) D	43-1/8" (110cm)
SX8****		Adjustable MKAJ available								48-1/2" (123cm)
SX2****										54" (137cm)

Note:

All lightbars require a Lightbar WeCad™ form with order. The Lightbar WeCad Program allows customers to describe the details of a lightbar. Lightbar WeCad will display all possible options and mounting kits for a given lightbar and the current list price for those options. The WeCad program is available at:

www.whelen.com/downloads/index.htm

See Page 55 for Power Control Centers and Switches



Towman's™ Lightbars

Features:

- **SAE Class 1 Certified.**
- **Includes rear facing LED B/T/T signals, Justice® Series has LED work lights, standard, other models have halogen work lights standard.**
- **Many options offered either factory or customer installed.**
- **Front/rear warning lights separately controlled on Super-LED® lightbars.**
- **Justice Lightbar. Add as many CON3 modules until lightbar is completely filled.**
- **Century™ has 4 corner modules plus 4 Linear-LED warning modules (2 front, 2 rear).**
- **Available in Red, Blue or Red/Blue, contact factory.**



Available Colors

Warranty:

- **LED = 5 year**

Models

Model No.	Model	Technology	Lighting	Inboard Lighting	Mount	VDC	FPM	Base	Lenses	Size H x D	Length
NEW!! CW0BAAA	Century™	Super-LED	4 Linear-LED® modules	4 amber Linear-LEDs (2front/2rear)	3 adjustable slide bolts	12	Action-Scan™	extruded aluminum I-Beam	color lenses standard	2-1/4" (57mm) H x 12" (304mm) D	60" (154cm)
FLOTAAAA	Ultra Freedom™			optional up to 12 lighthoods in pairs			4 adjustable slide bolts	75 Signal-Alert™	extruded aluminum I-Beam	clear outer standard, color available	
SLOTAAAA	LFL Liberty™			optional*	3 adjustable slide bolts			Action-Scan	black polycarbonate base on extruded aluminum platform		
JF0TAAAA	Justice®			6 amber CON3s™*			5 amber CON3s™ & Traffic Advisor™	2-1/4" (57mm) H x 12" (304mm) D	62-3/8" (158cm)		
JFOBAAA				5 amber CON3s™							
JF0DAAA				5 amber CON3s™							

* Note: Can also add options

Century Options

Model	Description
CEDLX*	one LIN12, amber, red, blue or white.

Replace asterisk in model number with desired color.
A = Amber, R = Red, B = Blue, C = White

Liberty Options

Model	Description
SLEAA	two Linear-LED lighthoods, factory installed, amber
SLTTALN6	six lamp Linear-LED Traffic Advisor with TACTRLD1 (requires deletion of work lights or brake/tail/turn lights)
SLTTALED	six lamp 5mm LED Traffic Advisor with TACTRLD1 (requires deletion of work lights or brake/tail/turn lights)
SLETKAA	two Linear-LED lighthoods, customer installed, amber
DELSLEBT	delete brake/tail/turn lights
DELSLEWL	delete work lights

Freedom Options

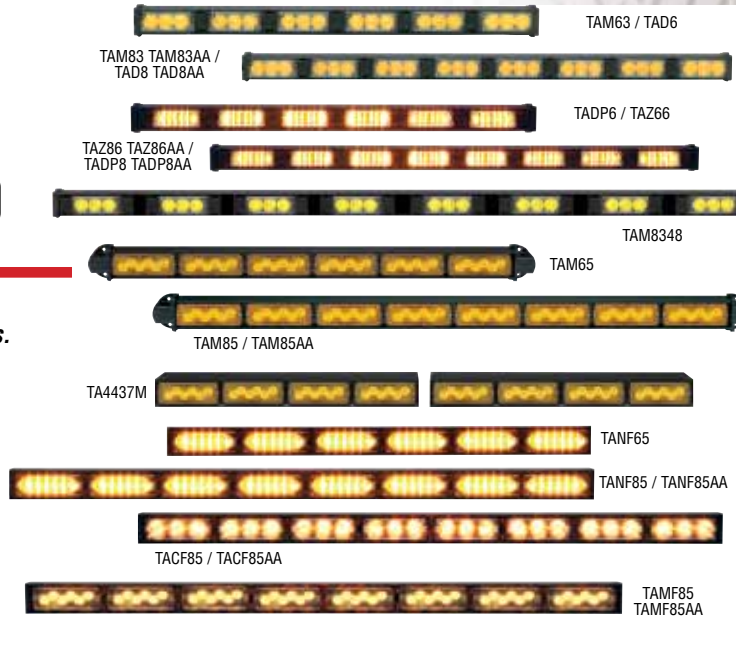
Model	Description
FLDSCBL	driver side cable exit
FLETAA	two single level Linear-LED lighthoods, factory installed, amber
FLETKAA	two Linear-LED lighthoods, customer installed, amber
DELFLTBT	delete brake/tail/turn lights
DELFLWL	delete work lights

Justice Options

Model	Description
JDCA	one CON3, amber

See Page 55 for Power Control Centers and Switches

Traffic Advisors™ Super-LED® Straight Style



Available Color

Features:

- 15' cable standard, contact factory for additional lengths.
- Black, extruded aluminum housing.
- LEDs rated for 100,000 hours of operation.
- Includes control head (not TAD models).
- Four operating modes; left, right, split & flashing.
- Rear dip switch provides 8 flash pattern choices.
- Interior or exterior applications.

Warranty:

- LED = 5 year

Models

Model No.	Tech-nology	No. of Modules	End Flasher	Mount	Control Head	VDC	Housing	Encap-sulated	Size H x D	Length		
TAM63	TIR3™	6	-	surface mount/ slide bolt	TACTLD1	12	extreme low profile one piece	yes	1-3/4" (44mm) H x 2-3/16" (55mm) D	23" (58cm)		
TAM83		8	yes							30-7/8" (78cm)		
TAM83AA			48" (122cm)									
TAM8348		23" (58cm)										
TAD6	TIR3 Dominant™ Series	6	-		requires optional TADCTL1 or customer supplied switches					TACTLD1	30-7/8" (78cm)	
TAD8		8	yes									23" (58cm)
TAD8AA			30-7/8" (78cm)									
TADP6	LINZ6™ Dominant Plus™ Series	6	-		TACTLD1					23" (58cm)		
TADP8		8	yes	30-7/8" (78cm)								
TADP8AA			30-7/8" (78cm)									
TAZ66	LINZ6	6	-	TACTLD1	23" (58cm)							
TAZ86		8	yes			30-7/8" (78cm)						
TAZ86AA			30-7/8" (78cm)									
TAM65	500 Series TIR6™	6	-	surface mount / thru-bolt endcaps	TACTLD1	low profile flat style one piece	2-7/8" (73mm) H x 2-1/4" (57mm) D	yes	36" (91cm)			
TAM85		8	yes							46-7/8" (119cm)		
TAM85AA			22-3/4" (58cm) each piece									
TA4437M	2-1/2" (64mm) H x 4-7/16" (113mm) D	34" (86cm)										
TANF65	500 Series Linear-LED®	6	-	surface mount/ slide bolt	TACTLD1	front load rectangular one piece	2-3/8" (60mm) H x 2-3/8" (60mm) D	yes	45-1/8" (115cm)			
TANF85		8	yes							46-7/8" (119cm)		
TANF85AA			45-1/8" (115cm)									
TAMF85	TIR6 500 Series	-	-	TACTLD1	TACTLD1	front load rectangular one piece	2-3/8" (60mm) H x 2-3/8" (60mm) D	yes	46-7/8" (119cm)			
TAMF85AA		yes	45-1/8" (115cm)									
TACF85	CON3™ front load	-	-	TACTLD1	TACTLD1	front load rectangular one piece	2-3/8" (60mm) H x 2-3/8" (60mm) D	yes	46-7/8" (119cm)			
TACF85AA		yes	45-1/8" (115cm)									

Options

Model No.	Description
TACTLD1	control head only for 6 & 8 lamp LED Traffic Advisor, includes remote flash control and end lamp enable/disable feature
TADCTL1	control head for TAD/TADP Dominator Traffic Advisor only
DELTA1	delete TACTLD1 from 6-8 lamp LED Traffic Advisor
TAWPKT1	waterproof butt splice upgrade kit for 6 lamp Traffic Advisor, factory installed

Model No.	Description
TAWPKT2	waterproof butt splice upgrade kit for 8 lamp Traffic Advisor, factory installed
TADSW1	On/Off non-lighted SPDT 20 amp switch for TADCTL1 Dominator control head
TADSW2	On/Off/On non-lighted SPDT 20 amp switch for TADCTL1 Dominator control head



Traffic Advisors™ LED & Halogen, Straight Style

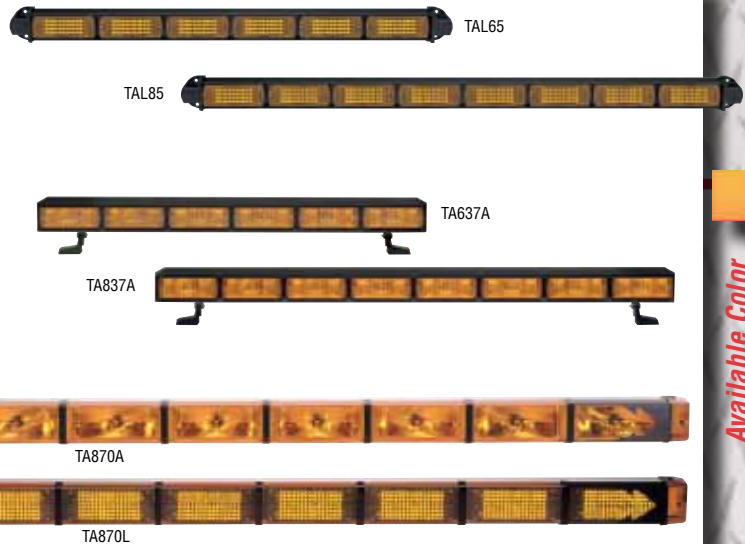


Features:

- 15' cable standard, (extra length cables available).
- Black, extruded aluminum housing.
- Halogen has 20 watt snap-in style bulbs.
- Includes control head.
- Four operating modes; left, right, split & flashing.
- Rear dip switch provides 8 flash pattern choices.
- Interior or exterior applications.
- TA870 Series models for large vehicles.

Warranty:

- LED = 5 year / Halogen = 2 year (excludes bulbs)



Available Color

Models

Model No.	Technology	No. of Modules	Mount	Control Head	VDC	Housing	Encapsulated	Size H x W	Length
TAL65	500 Series 5mm LED	6	surface thru-bolt or integral fasteners on back	TACTLD1	12	low profile flat style one piece	yes	2-7/8" (73mm) H x 2-1/4" (57mm) D	36" (91cm)
TAL85		8					yes		46-7/8" (119cm)
TA637A	500 Series halogen	6	swivel foot	TACTRL1A		large rectangular one piece	-	2-1/2" (64mm) H x 4-7/16" (113mm) D	33" (84cm)
TA837A		8							44" (112cm)
TA870A	700 Series halogen	8	slide bolt	TACTLD1					yes
TA870L	700 Series 5mm LED					(7' (213cm) or 8' (244cm) available)			

Options

Model No.	Description
TACTLD1	control head for 6 & 8 lamp LED Traffic Advisor, includes remote flash control and end lamp enable /disable feature
TACTRL1A	control head for 6 & 8 Halogen Traffic Advisor with remote flash control & end lamp enable/disable feature
DELTAC1A	delete TACTLD1 from 6-8 lamp LED Traffic Advisor
DELTAC1A	delete TACTRL1A from 6-8 lamp Halogen Traffic Advisor
TAWPKT1	waterproof butt splice upgrade kit for 6 lamp Traffic Advisor, factory installed
TAWPKT2	waterproof butt splice upgrade kit for 8 lamp Traffic Advisor, factory installed

Halogen Substitute Cables

Model No.	Description
STAPVC30	30' PVC cable for TA637A & TA837A
STAPVC35	35' PVC cable for TA637A & TA837A
STAPVC40	40' PVC cable for TA637A & TA837A
STAPVC50	50' PVC cable for TA637A & TA837A

Halogen Extension Cables

Model No.	Description
TAPVC15	15' cable for TA637A & TA837A
TAPVC25	25' cable for TA637A & TA837A
TAPVC35	35' cable for TA637A & TA837A
TAPVC50	50' cable for TA637A & TA837A
TATPR20	20' cable for TA870A & TA870L



TACTLD1
TACTRL1A



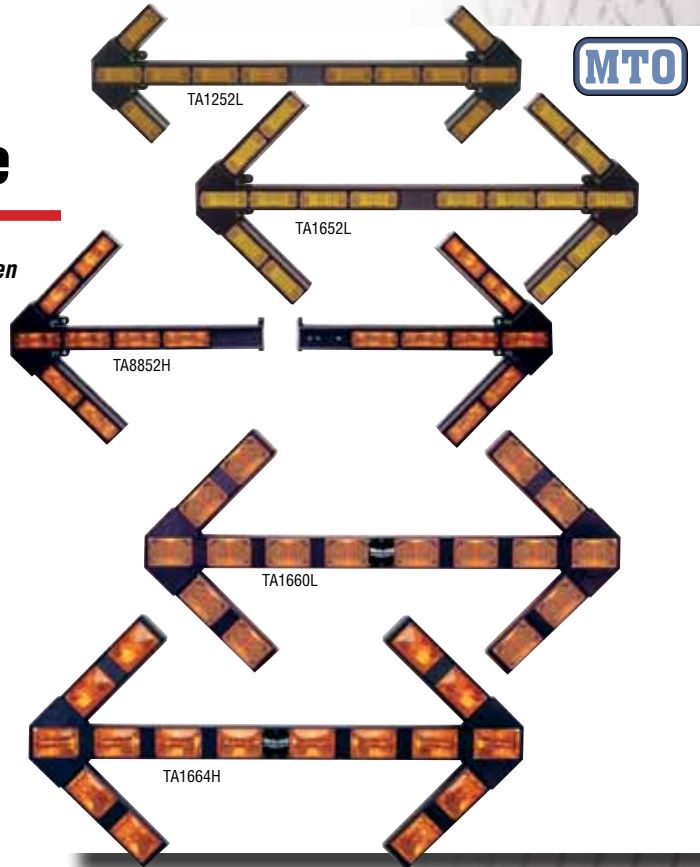
Traffic Advisors™ Super-LED®, Arrow Style

Features:

- Sixteen lamp versions meet MUTC2009 specifications when mounted on appropriate backboard.
- Two piece models have 10' interconnect cable.
- LEDs rated for 100,000 hours of operation.
- Four operating modes; left, right, split & flashing. Rear dip switch provides 8 flash pattern choices.
- Hi/Low intensity control.
- Heavy-duty extruded aluminum housing with black finish.
- Custom cable lengths, contact factory.

Warranty:

- LED = 5 year
- Halogen = 2 year (excludes bulbs)



Available Color

Models

Model No.	Technology	No. of Lamps	Lamp Size	Power Cable	Mount	Control Head	VDC	Housing	Encapsulated	Size	
TA1252L	500 Series 5mm LED	12	5" x 2"	25'	surface mount/ slide bolt	TACTRL3A	12	one piece	yes	16" (406mm) H x 5-1/4" (133mm) D x 48" (122cm) L	
TA1652L		16								23-1/4" (590mm) H x 5-1/4" (133mm) D x 48" (122cm) L	
TA8852H	500 Series halogen	16	6" x 4"	40'		TACTRL2A		large one piece	-	-	23" (584mm) H x 5-1/4" (133mm) D x 27-3/4" (704mm) L (each piece)
TA1660L!	600 Series 5mm LED					TACTRL3A					36-1/2" (927mm) H x 4" (102mm) D x 5' (152cm), 6' (183cm), 7' (213cm) or 8' (244cm) L
TA1664H!	600 Series halogen			26'							

! Indicate length desired. 5 foot, 6 foot, 7 foot or 8 foot.

Options

Model No.	Description
TACTRL3A	control head only for 16 lamp halogen/LED Traffic Advisor. non diagnostic, meets Federal standards
TAWPKT3	waterproof butt splice upgrade kit for 12 lamp Traffic Advisor, factory installed
TAWPKT4	waterproof butt splice upgrade kit for 16 lamp Traffic Advisor, factory installed



TACTRL3A

ION™ Surface Mount

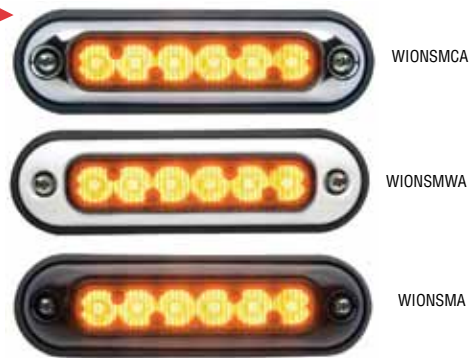


Features:

- Ultra compact water-resistant Super-LED® for interior or exterior use.
- Available in single or split colors.
- **NEW** Wide angle models and white housings.
- Supplied with 6" pigtail.
- Synchronizable to other like Whelen Sync products.

Warranty:

- LED = 5 year



Available Colors

Models

* Replace with color desired: A=Amber, C=Clear

Model No.	Lamp	Lamp Type	Color	Amps	VDC	Housing Color	Flash Patterns	Size
IONSM*	Super-LED	directional	single color amber or white	0.40/avg 1/peak	12	black	25 Scan-Lock™	7/8" (22mm) H x 1-1/4" (32mm) D x 4" (101mm) W
IONSMW*						white		
WIONSM*		wide angle				black		
WIONSMW*						white		
WIONSMC*						chrome plated		

Options

Model No.	Description
IONK1W	Swivel mount bracket, white
IONK1B	Swivel mount bracket, black

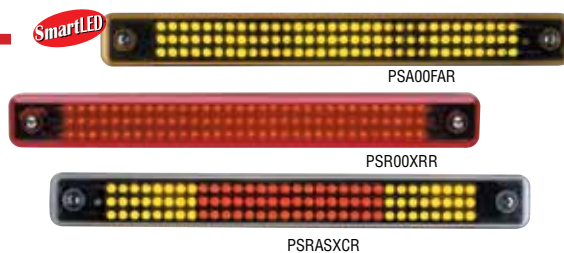
Strip-Lite™ Lightheads

Features:

- Warning light meets SAE Class 2 requirements.
- SmartLED® design requires no external flasher.
- Encapsulated for moisture and vibration resistance.

Warranty:

- LED = 5 year



Available Colors

Models

* Replace with color desired: A=Amber, C=White

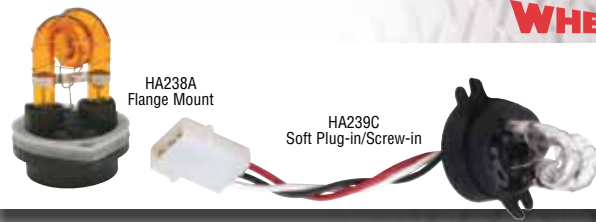
Model No.	Technology	Mounting	Amps	VDC	Patterns	Base	Cable	Size
PS*00F*R	5mm LED warning	surface with 2 screws	700mA/max 350mA/avg	12	14 Scan-Lock™	poly-carbonate	6" integral lead	1" (25mm) H x 1-3/8" (35mm) D x 11-1/2" 292mm) L
PSR00XRR	5mm brake/tail/turn		50mA/low 500mA/high		SignalAlert™ & steady			
PSRASXCR	5mm brake/tail with amber turn		50mA/low 500mA/high					

Options

Model No.	Description
PSBKT451	45° stainless steel mounting bracket for one lighthead
PSBKT1	guard for use with or without single angle bracket



Specialty & Surface Mount Lightheads



Features:

Hide-A-Way Strobes

- Installs easily in a 1" hole inside vehicle's composite-style head or taillight assemblies.
- Requires remote strobe power supply.

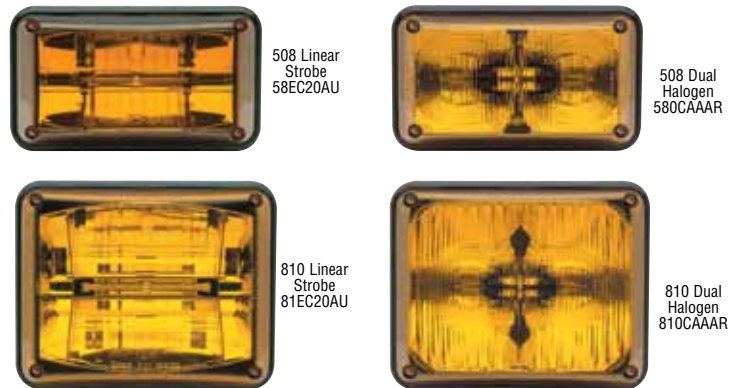
508 & 810 Series

- Certified as a system component to SAE & California Title XIII specifications.
- Surface mount with 4 screws.
- Strobe models require remote strobe power supply.
- Halogen models require remote flasher.

Warranty:

- Strobe = 2 year / Halogen = 2 year (excludes bulbs)

Models * Replace with color desired: A=Amber, C=Clear



Available Colors

Model No.	Model	Technology	Mounting	Amps	VDC	Lens	Cable	Connectors	Size
HA239C	Hide-A-Way Series	strobe	soft plug-in/screw-in	see power supply	12	clear	15' 3-C shielded cable (for special cable lengths consult current price list)	AMP Mate-N-Lok®	1-5/8" (41mm) H x 1" (25mm) Dia.
HA239CD								Deutsch® waterproof	
HA238C								AMP Mate-N-Lok	
HA238CD			Deutsch waterproof						
HA238A			AMP Mate-N-Lok						
HA238AD			Deutsch waterproof						
580CAA*R	508 Series	dual halogen	surface mount	5 / high	solid amber or clear	6" integral leads	-	5" (127mm) H x 2" (51mm) D x 8-11/16" (221mm) W	
58EC20*U		strobe		see power supply		15' 3-C shielded cable	AMP Mate-N-Lok		
810CAA*R	810 Series	dual halogen	surface mount	5 / high	solid amber or clear	6" integral leads	-	8" (203mm) H x 2" (51mm) D x 10" (254mm) W	
81EC20*U		strobe		see power supply		15' 3-C shielded cable	AMP Mate-N-Lok		

Tubes only for Hide-A-Way Series (Less Cable)

Model No.	Description
S30HACP	clear, soft plug-in, AMP Mate-N-Lok connectors
S30HACPD	clear, soft plug-in, Deutsch waterproof connectors
S30HAC	clear, flange mount, AMP Mate-N-Lok connectors
S30HACD	clear, flange mount, Deutsch waterproof connectors
S30HAA	amber, flange mount, AMP Mate-N-Lok connectors
S30HAAD	amber, flange mount, Deutsch waterproof connectors

508 & 810 Options

Model No.	Description
508TRIM	chrome plated trim ring for 508 Series
810TRIM	chrome plated trim ring for 810 Series
W441DIN	Deutsch waterproof connector (3 pins) installed on cable
W442DIN	Deutsch waterproof connector (3 sockets) installed on lighthead

For Extension Cables and Connectors, see page 57

Perimeter™ Enhancement

- Downward projected ground lighting for the perimeter of your vehicle.
- Six diode Super-LED module in a rugged polycarbonate housing, available in Chrome or Black.
- Mounts to vertical surfaces, and may be inverted.
- Molded rubber gasket protects body panels.

Warranty:

- LED = 5 year

Models



PERLCC

Available Colors

Model No.	Technology	Mounting	Amps	Lumens	Housing Color	VDC	Base	Cable	Size
PERLCC	Super-LED	surface	.85	1000	chrome	12	poly-carbonate	6" integral lead	1" (25mm) H x 1-3/8" (35mm) D x 11-1/2" (292mm) L
PERLCB					black				

Vertex™ Super-LED® Hide-A-Way

Features:

- Ultra small, self-contained, hemispheric LED light with in-line lamp driver.
- For surface mount or internal mount within composite head lamps, cornering lamps and taillight assemblies.
- 1" mounting hole and backwards compatible to HA238 and standard 1" Hide-A-Way style lamps.
- For best performance, LED color must match color of the lens, except for clear lens.
- No RFI noise emitted.
- Split colors of red, white and/or amber.

Warranty:

- LED = 5 year

Models * Replace with color desired: A=Amber, C=White, R=Red; Replace # with split color desired: D= Red/White, F= Amber/White, K=Red/Amber

Model No.	Technology	Amps	Housing	Encapsulation	VDC	Patterns	Cable	Lamp Size
VTX609*	Super-LED	.750 peak, .300 average	aluminum	yes, lamp and lamp driver	12	25 Scan-Lock™	9' sealed PVC	7/8" (22mm) H x 1-1/2" (38mm) Dia.
VTX609#	Split Super-LED							



Available Colors

Options

Model No.	Description
VTXFC	chrome plated flange
VTXFB	black flange



VTXFC



VTXFB

Flanges shown with lighthead, purchased separately.



Vertex in headlight assembly.



Multiple Vertex lighthead used for added visibility.

Vertex™ Competitor Super-LED® Hide-A-Way

Features:

- Economically priced, 6-diode with electronics built into base.
- Self-contained, hemispheric LED light for surface mount anywhere on your vehicle, or internal mounting inside of composite headlight, cornering lights and taillight assemblies.
- Omni-directional, mounts in any position.
- Simple installation via two screws in base.

Warranty:

- LED = 5 year

Models * Replace with color desired: A=Amber, C=White, R=Red; Replace # with split color desired: D= Red/White, F= Amber/White, K=Red/Amber

Model No.	Technology	Amps	Housing	Encapsulation	VDC	Patterns	Cable	Lamp Size
VTC6*	Super-LED	0.7 peak 0.28 average	aluminum	yes	12	25 Scan-Lock™	6" wire pigtail	1" (25mm) H x 1-5/8" (41mm) Dia.



Available Colors

Options

Model No.	Description
VTCFC	surface mount chrome plated flange
VTCFB	surface mount black flange



VTCFB



VTCFC

Directional Super-LED® Warning Lights

Features:

- Fully encapsulated for moisture and vibration resistance.
- Highly intense and effective surface mount light modules.
- LEDs are rated for 100,000 hours of operation.
- Includes black polycarbonate mounting flange.
- Polycarbonate construction.
- The "synch" interconnect wire allows up to eight lighthead to be synchronized together.
- Includes steady-burn, alternating and simultaneous patterns available.

TIR3™

- SAE J595 & J845 Class 1 Certified.
- Super-LED directional lighting.

LIN3™

- SAE J595 & J845 Class 1 Certified.
- Linear Super-LED for more spread light output.

LINZ6™

- SAE J595 & J845 Class 1 Certified.
- Six Linear Super-LEDs for superior light output.
- Scan-Lock™ flash patterns allows for alternate or simultaneous flashing of each color segment (3 x 3).

Warranty:

- LED = 5 year



Available Colors

Models * Replace with color desired: A=Amber, C=Clear/White

Model No.	Lamp Type	Mount	Flange	Amps	VDC	Patterns	Color Lighthead/Lens	Size
RSA03ZCR	TIR3	horizontal, surface	black flange included	0.40/peak 0.16/avg	12	25 built-in Scan-Lock patterns	amber/clear lens	1-1/8" (28mm) H x 1-1/4" (32mm) D x 3-1/2" (89mm) L
RSC03ZCR		vertical, surface					white/clear lens	
RVA03ZCR							amber/clear lens	
RVC03ZCR		white/clear lens						
RS*02ZCR	LIN3	horizontal, surface		0.75/peak 0.30/avg		25 Scan-Lock	clear lens	
LINZ6A	amber/ clear lens							
LINZ6C	white/ clear lens							
LINZ61	split LINZ6					69 Scan-Lock	amber/amber/ clear lens	

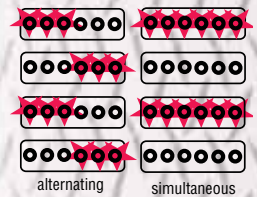
Options

Model No.	Model	Description
RFLANGEA	TIR3/LIN3	cast aluminum brush guard flange kit
RFLANG2C		chrome plated flange for dual lighthead
RFLANG2B		black flange for dual lighthead
RBKT1		mounting bracket for one lighthead
RBKT2		mounting bracket for two lighthead
RFLANGCD		deep chrome plated flange kit
RFLANGEC		chrome plated flange kit
RBKT4		swivel mounting bracket for one lighthead

Model No.	Model	Description
LINZ6FC	LINZ6	deep chrome plated flange kit
RGROMMET	TIR3/LIN3 LINZ6	grommet mount kit



LINZ6 showing alternating and simultaneous flash patterns.



2", 3" & 4" Round Lightheads

Features:

2" Round

- Includes 2-1/2" adapter, 3" and 3-1/2" flange.

3" Round

- Steady-burn and warning.
- Surface mount aluminum housing.
- Ultra thin at only 7/16" (12mm) depth.

4" Round

- Certified as system component to SAE & California Title XIII specifications.
- TIR6 includes steady-burn and the ability to alternately or simultaneously flash multiple lightheads.
- To simultaneously flash or alternate multiple LED lightheads use optional 3TERM LED flasher.
- Extended lens models with two LINZ6™ modules.

Warranty:

- Strobe = 2 year / LED = 5 year



NEW!!

Available Colors

Models * Replace with color desired: A=Amber, B=Blue, C=Clear/White, R=Red

Model No.	Model	Lamp Type	Technology	Flange	Amps in mA	VDC	Patterns	Encapsulated	Colors	Cable	Size		
TOA00MAR	2" Round	marker/clearance	5mm LED	requires optional grommet or trim ring	25/max	12	steady	yes	A	6" integral leads	2" (50mm) Dia.		
TOR00MRR									R				
3S*00F*R	3" Round	compartment	Super-LED	surface mount	300		flashing		-		A,R,B	15' 3-C shielded	4-1/4" (108mm) Dia.
3SC0CDCR											W		
3SR0CDRR							R						
3SRCCDCR							split W/R						
3SBCCDCR							split W/B						
201000*U	4" Round	warning	strobe	requires optional grommet or trim ring	requires remote power		power supply dependent	-	A,C	6" integral leads			
20R00XRR		B/T/T maximum			5mm LED		60/low 450/high	steady	yes		R		
20A00AAR		amber turn	60/low 450/high				-	A					
2F*00Z*R		warning	TIR6™ Super-LED® flat lens		800/max 300/avg		5 built-in Scan-Lock	epoxy coated	A,R				
2E*00Z*R			LINZ6™ Super-LED extended lens		1.5/peak 0.6 avg		25 Scan-Lock						

NEW!!

NEW!!

2" Round and 3" Round Options

Model No.	Model	Description
TGROM2	2" Round	rubber grommet kit
TFLANGEB		surface mount black flange kit
TFLANGEC		surface mount chrome plated flange kit
W441DIN		Deutsch® waterproof connector (3 pins) installed on cable
W442DIN		Deutsch waterproof connector (3 sockets) installed on lighthead
3FLANGEC	3" Round	surface mount chrome plated flange kit
3GROMMET		grommet mount kit

4" Round Options

Model No.	Description
2GROMMET	rubber grommet kit
2FLANGEB	surface mount black flange kit
2FLANGEC	surface mount chrome plated flange kit
LEDLOAD	in-line load resistor kit to interface with OEM turn signal circuit
W441DIN	Deutsch waterproof connector (3 pins) installed on cable
W442DIN	Deutsch waterproof connector (3 sockets) installed on lighthead

OS Series Lightheads

Features:

- **Designed to meet SAE J592 (Clearance/Marker only).**
- **Smallest lighthead available by Whelen.**
- **Includes oval chrome plated flange.**
- **Clear outer lens, color LEDs.**

Warranty:

- **LED = 5 year**



Available Colors

Models

Model No.	Lamp Type	Technology	Diodes	Mount	Color	VDC	FPM	Amps	Cable	Encapsulated	Size
OSA00FCR	warning	LED	4	includes chrome plated flange	A	12	flashing	60mA/peak 30mA/avg	6" integral leads	yes	1" (25mm) H x 1-1/2" (48mm) W x 1/2" (13mm) D
OSC00FCR					W						
OSR00MCR	marker/clearance				R						
OSA00MCR											
OSC0EDCR	illumination		3		W		steady	30mA			
OAC0EDCR	step light				W						

2G & 5G Lightheads

Features:

- **Class 1, SAE Certified.**
- **SmartLED® design requires no external flasher (warning only).**
- **Economical and reliable.**
- **Includes vinyl grommet.**
- **Lights can be surface mounted.**
- **Horizontal or vertical mount.**

Warranty:

- **LED = 5 year**



Available Color

Models

Model No.	Lamp Type	Technology	Cable	VDC	FPM	Amps in mA	Encapsulated	Size
2GA00FAR	warning	5mm	6" integral leads	12	15 Scan-Lock™ patterns	300/avg 500/peak	yes	5-1/2" (140mm) Dia. x 1-1/4" (31mm) D (with grommet)
5GA00FAR								3-3/16" (81mm) H x 7-7/16" (189mm) W x 1-1/4" (38mm) D (with grommet)

2G Options

Model No.	Description
2GFLANGC	surface mount chrome plated flange kit
2GFLANGB	surface mount black flange kit
2GBKT1	surface mount angle bracket



5G Options

Model No.	Description
5GFLANGC	surface mount chrome plated flange kit
5GFLANGB	surface mount black flange kit
5GBKT1	surface mount angle bracket



400 Series Lightheads

Features:

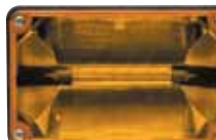
- **Designed to meet or exceed current and proposed SAE applicable standards.**
- **Halogen:** requires remote halogen flasher.
- **Strobe:** back of lighthead is fully encapsulated.
- **Linear Super-LED®:** single level lighting, rivals strobe in intensity with 30% of amp draw.
- **Duplex Linear Super-LED:** dual level lighting, upper and lower levels can be controlled separately; requires remote ULF flasher; not to be used as a steady-burn light.
- **5mm LED:** all models are encapsulated.
- **Size:** 3-1/16" (77mm) H x 4-15/16" (124mm) W.

Warranty:

- **LED = 5 year / Strobe = 2 year / Halogen = 2 year** (excludes bulbs)



Halogen / 40J000AR



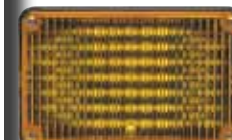
Strobe / 402000AU



Linear-LED / 40A02ZCR



Duplex Linear-LED / 40AA5SCR



LED Combination Turn-Clearance / 40A00AAR



Back-up / 40C00VCR



Brake/Tail/Turn / 40R00XRR

Available Colors

Models * Replace with color desired: A=Amber, C=Clear/White

Model No.	Lamp Type	Technology	Colors	Mount	VDC	Patterns	Amps in mA	Cable	Connectors	Encapsulated
40J000*R	warning	halogen 27 w snap-in	A,C	flush mount, optional mounting required	12	requires flasher	2.5A/max	6" integral leads	AMP	-
40J000FR			split A/C							
402000*U		strobe	A,,C	requires remote power supply		15' 3-C shielded				
40*02Z*R		linear Super-LED	A,W	5		0.75/peak 0.30/avg				
40AA5SCR		duplex linear Super-LED	A/A	see flasher		0.68A/peak 0.27A/avg				
40CC5SCR			W/W							
40AC5SCR			A/W							
40R00XRR	B/T/T	5mm LED	R	surface	steady	60/low 400/high	6" integral leads	-	yes	
40A00AAR	amber turn		A							
40C00VCR	back-up		W							350/max

Options

Model No.	Description
W441DIN	Deutsch® waterproof connector (3 pins) installed on cable
W442DIN	Deutsch waterproof connector (3 sockets) installed on lighthead
4FLANGEB	black flange kit (not for duplex Linear-LED®)
4EFLANGE	chrome plated flange kit (not for duplex Linear-LED)
4TSMAB	black flange kit, for duplex Linear-LED only

Model No.	Description
4TSMAC	chrome plated flange kit, for duplex Linear-LED only
4EGRILB	Grille-Master™ black housing with swivel bracket
4EGRILP	Grille-Master chrome housing with swivel bracket
LEDLOAD	in-line load resistor kit to interface with OEM turn signal circuit

Mountings available for specific vehicles, consult current price list

500 Series Lightheads

Features:

- **Halogen:** requires remote halogen flasher.
- **Strobe:** supplied with AMP Mate-N-Lok® connectors on 15' cable; surface mount requires Model 52SMAB and optional flange; back of lighthead is fully encapsulated, optional cable lengths, consult factory.
- **LIN6™ Super-LED®:** split LED models have surface mount, requires Model 5LSMAB or 5LSMAC flange; rivals strobe in intensity with 30% of amp draw; epoxy coated for vibration and moisture resistance.
- **TIR6™ Super-LED:** rivals strobe in intensity with 30% of amp draw; epoxy coated for vibration and moisture resistance, requires either 5TSMAB or 5TSMAC flange.
- **5mm LED:** encapsulated; to simultaneously flash or alternate multiple lightheads, use optional 3TERM LED flasher.
- **Size:** 1-5/8" (41mm) H x 5" (127mm) W.

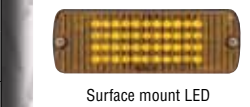
Warranty:

- **LED = 5 year / Strobe = 2 year / Halogen = 2 year** (excludes bulbs)

Models

* Replace with color desired: A=Amber, C=Clear/White

Model No.	Lamp Type	Technology	Colors	Mount	VDC	Patterns	Amps in mA	Cable	Encapsulated		
50K000*R	warning	halogen 35 w snap-in	A,C	hor./vert.	12	requires flasher	2.75 A/max	6" integral leads	-		
50X000RR	B/T/T		R			steady	575/low 2.2A/high				
502000*U	warning	strobe	A,C	hor./vert.	12	requires remote power supply		15' 3-C shielded	yes		
50**2ZCR		split LIN6 Super-LED	A,W (no white in vertical mount)	flush mount, optional mounting required		hor.	20 Scan-Lock™ plus steady burn			900/max	
50*02Z*R		LIN6 Super-LED		hor.							
5V*02Z*R				vert							
50**3ZCR		split TIR6		flush mount, optional mounting required		hor.	14			350/max-150/avg	800/max 300/avg
50*03Z*R		TIR6									
50*00F*R											
50R00XRR	B/T/T			R	flush mount, optional mounting required	hor.	steady	50/low - 250/high	6" integral leads		
50A00MAR	clearance		A	steady			50/max				
5SR00MRR			R	14			350/max - 150/avg				
50*00F*R	warning		A,W	steady			50/low - 250 /high				
50R00XRR	B/T/T		R	steady			350/max				
50C00WCR	back-up		W								



Available Colors

Options

Model No.	Description
W441DIN	Deutsch® waterproof connector (3 pins) installed on cable
W442DIN	Deutsch waterproof connector (3 sockets) installed on lighthead
5FLANGEB	black flange kit
5FLANGEC	chrome plated flange kit
5FLANGEP	polished aluminum flange kit
5GROMMET	rubber grommet kit
52SMAB	black surface mount adapter, strobe only, requires flange
5TSMAB	black surface mount adapter, TIR6 Super-LED only
5TSMAC	chrome plated surface mount adapter, TIR6 Super-LED only

Model No.	Description
5LSMAB	black surface mount adapter, Linear-LED® only (2 pcs.)
5LSMAC	chrome plated surface mount adapter, Linear-LED only (2 pcs.)
5BRUSH	aluminum brush guard for TIR6 only, requires flange
5HSGPED	polished aluminum housing & pedestal swivel mount kit
5HSGB1	7/8"-1" round bar mount, includes housing and flange
5HSGB125	1-1/4" round bar mount kit, includes housing and flange
5BKT1	universal mounting bracket for Super-LED
LEDLOAD	in-line load resistor kit to interface with OEM turn signal circuit

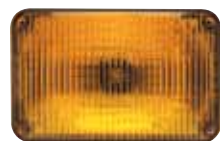
600 Series Lightheads

Features:

- **Designed to meet or exceed current and proposed SAE applicable standards.**
- **Halogen: requires remote halogen flasher.**
- **Strobe: back of lighthead is fully encapsulated; supplied with AMP Mate-N-Lok® connectors; optional cable lengths, consult factory.**
- **LIN6™ Linear Super-LED®: single level lighting, rivals strobe in intensity with 30% of amp draw.**
- **Optional cable assemblies available, consult price list.**
- **Dual Linear Super-LED: side by side lighting, levels can be controlled separately.**
- **5mm LED: all models are encapsulated.**
- **Size: 4-1/8" (105mm) H x 6-1/2" (165mm) W.**

Warranty:

- **LED = 5 year / Strobe = 2 year / Halogen = 2 year (excludes bulbs)**



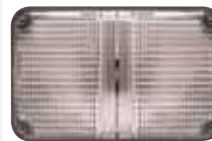
Halogen / 60F000AR



Strobe / 602000AU



Linear-LED / 60A02FAR



Halogen Back-up / 60J000CR



LED Back-up Minimum 60C00VCR



LED Back-up Maximum 60C00WCR



Halogen Turn Arrow 60X000TR



LED Turn Arrow 60A00TAR



Halogen Brake/Tail/Turn 60X000RR



LED Brake/Tail/Turn, Minimum 60R00BRR



LED Brake/Tail/Turn, Maximum 60R00XRR

Models * Replace with color desired: A=Amber, C=Clear/White

Model No.	Lamp Type	Technology	Colors	Mount	VDC	Patterns	Amps in mA	Cable	Encapsulated	
60F000*R	warning	halogen 60 watt snap-in	A,C	flush mount, optional mounting required	12	requires flasher	5A/max	6" integral leads	-	
60F000FR			split A/C			-				575/low 2.2A/high
60X000RR	B/T/T		R			steady	2.5A/max			
60J000CR	back-up		C			-	575/max 2.2A/high			
60X000TR	turn arrow		A			requires remote power supply	power supply dependent			15' 3-C shielded
602000*U	warning	strobe	A,C	requires flasher		14	1.5A/max 400/avg	6" integral leads		yes
60*02F*R			A,C	requires flasher		1A/max				
60*02S*R			A,C	-		700/max 350/avg				
60A00TAR	turn arrow	5mm LED	A	steady		60/low 350/high				
60R00BRR	B/T/T min		R	steady		60/low 750/high				
60R00XRR	B/T/T max		R	steady	350/max					
60C00VCR	back-up min		C	steady	600/max					
60C00WCR	back-up max			steady						

Options

Model No.	Description
64FKIT	kit to convert 600 Series to fit in old style 64 Series hole cutouts
W441DIN	Deutsch® waterproof connector (3 pins) installed on cable
W442DIN	Deutsch waterproof connector (3 sockets) installed on lighthead
6FLANGEB	black flange kit
6EFLANGE	chrome plated flange kit
CAST1L	polished cast aluminum housing, horizontal mount, 1 lamp
CAST3	polished cast aluminum housing, vertical mount, 3 lamp
PLAST3V	chrome plated plastic housing, vertical mount, 3 lamp

Model No.	Description
CAST3H	polished cast aluminum housing, horizontal mount, 3 lamp
CAST4V	polished cast aluminum housing, vertical mount, 4 lamp
PLAST4V	chrome-plated plastic housing, vertical mount, 4 lamp
LEDLOAD	in-line load resistor kit to interface with OEM turn signal circuit
6PLAS15W	15° downward plastic white housing

Available Colors

700 Series Lightheads

Features:

- **Designed to meet or exceed current and proposed SAE applicable standards.**
- **Halogen:** requires remote halogen flasher.
- **Strobe:** back of lighthead is fully encapsulated; supplied with AMP Mate-N-Lok® connectors; optional cable lengths, consult factory.
- **Combination Strobe/LED lighthead flashes simultaneously, alternating or separately.**
- **LIN6™ Linear Super-LED®:** rivals strobe in intensity with 30% of amp draw. Optional cable assemblies available, consult factory.
- **5mm LED:** all models are encapsulated.
- **Size:** 3-1/16" (78mm) H x 7-1/4" (184mm) W.

Warranty:

- **LED = 5 year / Strobe = 2 year / Halogen = 2 year** (excludes bulbs)



Strobe / 702000AU



Linear-LED / 70A02FAR



Halogen Back-up / 70J000CR



Halogen / 70F000AR



LED Back-up Minimum 70C00VCR



LED Back-up Maximum 70C00WCR



Halogen Amber Turn Arrow 70X000TR



LED Turn Arrow 70A00TAR



Halogen Brake/Tail/Turn 70X000RR



LED Brake/Tail/Turn, Minimum 70R00BRR



LED Brake/Tail/Turn, Maximum 70R00XRR

Available Colors

Models * Replace with color desired: A=Amber, C=Clear/White

Model No.	Lamp Type	Technology	Colors	Mount	VDC	Patterns	Amps in mA	Cable	Encapsulated
70F000*R	warning	halogen 60 w snap-in	A,C	flush mount, optional mounting required	12	requires flasher	5A/max	6" integral leads	-
70F000FR			split A/C			-			
70X000RR	R		steady			575/low 2.2A/high			
70J000CR	C		-			575/max 2.2A/high			
70X000TR	A		requires remote power supply			power supply dependent	15' 3-C shielded		
702000*U	warning	strobe	A,C	surface		14	1.5A/max 400/avg	6" integral leads	yes
70*02F*R			A,C			requires flasher	1A/max		
70*02S*R			A			1 & sync	0.45/avg 0.7A/peak		
70A00ZAR	turn arrow	5mm LED	A	A		-	900/max 450/avg	6" integral leads	yes
70A00TAR			A	steady		60/low 350/high			
70R00BRR	B/T/T min		R	steady		60/low 550/high			
70R00XRR	B/T/T max		A	-		0.45/avg 0.7A/peak			
70A00AAR	amber turn		C	steady	350/max				
70C00VCR	back-up min		500/max						
70C00WCR	back-up max								

Options

Model No.	Description
W441DIN	Deutsch® waterproof connector (3 pins) installed on cable
W442DIN	Deutsch waterproof connector (3 sockets) installed on lighthead
7FLANGE B	black flange kit
7EFLANGE	chrome plated flange kit
7CAST1	polished cast aluminum housing, 1 lamp
7CAST3	polished cast aluminum housing, vertical mount, 3 lamp

Model No.	Description
7EGRILP	Grille-Master™ chrome housing with swivel bracket, strobe & LED only
7EGRILB	Grille-Master black housing with swivel bracket, strobe & LED only
7PLAST1C	composite housing, 1 lamp
7PLAS15W	15° downward plastic white housing
73FKIT	mounting kit to convert 700 Series to fit in old style 73 Series hole cutouts
LEDLOAD	in-line load resistor kit to interface with OEM turn signal circuit

Mountings available for specific vehicles, consult current price list

900 Series Lightheads

Features:

- **Designed to meet or exceed current and proposed SAE applicable standards.**
- **Halogen:** requires remote halogen flasher.
- **Strobe:** back of lighthead is fully encapsulated; supplied with AMP Mate-N-Lok® connectors; optional cable lengths, consult factory.
- **Linear Super-LED®:** single level lighting, rivals strobe in intensity with 30% of amp draw. Model with internal flasher includes flash patterns, steady-burn and Hi/Low power. Optional cable assemblies available, consult price list.
- **Dual Linear Super-LED®:** upper and lower levels can be controlled separately; rivals strobe in intensity with 30% of amp draw.
- **5mm LED:** all models are encapsulated.
- **Size:** 7-1/8" (181mm) H x 9-1/8" (232mm) W.

Warranty:

- **LED = 5 year / Strobe = 2 year / Halogen = 2 year** (excludes bulbs)



Linear Strobe / 902000AU



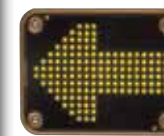
Halogen / 90F000AR



Linear-LED / 90AA5SAR



Halogen Back-up / 90J000CR



LED Turn Arrow
90A00TAR



Halogen Brake/Tail/Turn
90X000RR



LED Brake/Tail/Turn
90R00XRR

Available Colors

Models * Replace with color desired: A=Amber, C=Clear/White

Model No.	Lamp Type	Technology	Colors	Mount	VDC	Patterns	Amps in mA	Cable	Encap- sulated
90F000*R	warning	halogen 60 w snap-in	A,C	flush mount, optional mounting required	12	requires flasher	5A/max	6" integral leads	-
90X000RR	B/T/T		R			-	575/low 2.2A/high		
90J000CR	back-up	27w halogen	C			steady	2.5A/max		
902000*U	warning	linear strobe	A,C			requires remote power supply	power supply dependent	15', 3-C shielded w/ AMP connectors	
90*05F*R		linear Super-LED	A,C	14	3A/max 800/avg	6" integral leads			
90**5S*R				requires flasher	2A/max				
90A00TAR	turn arrow	5mm LED	A	surface	-	1.25A/max 1A/avg	6" integral leads	yes	
90R00XRR	B/T/T max		R			steady			70/low 1.75A/high

Options

Model No.	Description
97FKIT	kit to convert 900 Series to fit in old style 97 Series hole cutouts
W441DIN	Deutsch® waterproof connector (3 pins) installed on cable
W442DIN	Deutsch waterproof connector (3 sockets) installed on lighthead
9FLANGEB	black flange kit, not for use with Super-LED

Model No.	Description
9EFLANGE	chrome plated flange kit, not for use with Super-LED
90FLANGB	black flange for Linear-LED only
90FLANGC	chrome plated flange for Linear-LED only
LEDLOAD	in-line load resistor kit to interface with OEM turn signal circuit

M Series Super-LED® Lightheads

Features:

- SAE Class 1 Certified (warning).
- Patented surface mount Linear-LED® with unique shape.
- Lens and reflector are sealed assembly.
- Replaceable light engine is accessed from rear of lens/reflector assembly.
- Fast and easy installation with only 2 screws.
- Hard coated lenses resists scratches, chemical and UV damage.
- Warning lights have Hi/Low feature.

Warranty:

- LED = 5 year



M6T, turn



M6BTT, brake/tail/turn



M9T, turn



M9BTTX, brake/tail/turn



M2A with optional grommet mount



M2WA wide-angle



M4A with optional chrome flange



M6BUW Back-up



M6A with optional chrome flange



M7A with optional chrome flange



M9BUW Back-up



M9A with optional chrome flange



Available Colors

Models * Replace with color desired: A=Amber, C=White

Model No.	Lamp Type	Lens	color	Mount	VDC	Patterns	Amps	Encap-ulated	Size			
NEW!! M2A	warning	color	A	surface mount via 2 screws	12	25 Scan-Lock including steady	1 / peak .45 / avg	yes	2-1/2" (64mm) H x 4" (102mm) W x 1" (25mm) D			
NEW!! M2*C		clear	A, C									
NEW!! M2WA	wide-angle warning	color	A									
NEW!! M2W*C		clear	A, C									
M4A	warning	color	A						optional flanges available	129 Scan-Lock™	1.5 / peak 0.6 / avg	3-3/8" (86mm) H x 5-1/2" (138mm) W x 1-3/8" (35mm) D
M4*C		clear	A, C									
M6A	warning	color	A						164 Scan-Lock	2.25 / peak 0.9 / avg	4-5/16" (109mm) H x 6-3/4" (170mm) W x 1-3/8" (35mm) D	
M6*C		clear	A, C									
M6BUW	back-up	clear	C						-	1.8	6-1/2" (165mm) H x 10-3/8" (263mm) W x 1-3/8" (35mm) D	
M6BTT	brake/tail/turn	red	R						Steady	.85 high/.06 low		
M6T	turn	amber	A						8	.75		
M7A	warning	color	A						164 Scan-Lock	2.25 / peak 0.9 / avg	3-3/8" (86mm) H x 7-5/8" (194mm) W x 1-3/8" (35mm) D	
M7*C		clear	A, C									
M9A		color	A									
M9*C		clear	A, C									
M9BUW	back-up	clear	C	-	1.8							
M9BTTX	brake/tail/turn	red	R	Steady	.75 high/.055 low							
M9T	turn	amber	A	8	1.2							

Options

Model No.	Model	Description
NEW!! M2FC	M2	chrome plated flange
NEW!! M2FB		black flange
NEW!! M2PEDB		black pedestal mount
NEW!! M2PEDC		chrome plated pedestal mount
NEW!! M2GROM		grommet mount
M4FC	M4	chrome plated flange
M4FB		black flange
M4FC400		chrome flange adapts M4 to 400 Series mounting
M4BRUSH		brush guard, black
M6FC	M6	chrome plated flange
M6FB		black flange
M6P15C		chrome plated 15° angled surface mount housing
M6P15B		black 15° angled surface mount housing
M6FC600		chrome flange adapts M6 to 600 Series mounting
NEW!! M6BRUSH		brush guard, black

Model No.	Model	Description
NEW!! M6FCV2	M6	chrome vertical flange for 2 lightheads
NEW!! M6FCV3		chrome vertical flange for 3 lightheads
NEW!! M6FCV4		chrome vertical flange for 4 lightheads
M7FC	M7	chrome plated flange
M7FB		black flange
M7FC700		chrome flange adapts M7 to 700 Series mounting
M7BRUSH	brush guard, black	
M9FC	M9	chrome plated flange
M9FB		black flange
M9FC900		chrome flange adapts M9 to 900 Series mounting
M9FCZ900		chrome flange adapts M9 Scenelight to 900 Series mounting
M9BRUSH	brush guard, black	

Mountings available for specific vehicles, consult current price list

Scenelights

Features:

- Eight sizes to choose from.
- Wide variety of intensities.
- 900 and 600 Series are surface mount.
- Contact Factory for 24 VDC availability.
- M Series surface mount Scenelights feature inner optics that direct light downward without angle brackets.
- For optional flange or other mounting options, please see applicable lighthouse series pages.

Warranty:

- LED = 5 year
- Halogen = 2 year (excludes bulbs)



Available Colors

Models

Model No.	Lamp Type	Technology	Degree	Diodes	Mount	VDC	Amps	Cable	Encapsulated	Size			
60K000XR	600 Series	35 w snap-in halogen	26°	-	requires optional mounting	12	2.75A/max	6" integral leads	-	4-1/8" (105mm) H x 6-1/2" (165mm) W			
60K000YR			13°										
70K000ZR			700 Series								8-32°	2.75A/max	3-1/16" (78mm) H x 7-1/4" (184mm) W
90E000ZR	900 Series	5mm LED	gradient	24	surface		300mA/max		yes	7-1/8" (181mm) H x 9-1/8" (232mm) W			
50C000ZR	500 Series										44	requires optional mounting	1-5/8" (41mm) H x 5" (127mm) W
70C0ELZR	700 Series										12	2.0/max	3-1/16" (78mm) H x 7-1/4" (184mm) W
6SC0ENZR	600 Series					12	2.0/max	4-1/8" (105mm) H x 6-1/2" (165mm) W					
9SC0ENZR	900 Series					Super-LED®	24	4.0/max	7-1/8" (181mm) H x 9-1/8" (232mm) W				
M9LZC	M9					3.0/max	6-1/2" (165mm) H x 10-3/8" (263mm) W						
M6ZC	M6	2.0/max	4-5/16" (109mm) H x 6-3/4" (170mm) W										
810CA0ZR	810 Series	27 w halogen	8-32°	-		5.0 high		-	8" (203mm) H x 10" (254mm) W				
580CAAZR	508 Series								5" (127mm) H x 8-11/16" (221mm) W				

Compartment & Interior Lighting

Features:

- Model 8635CU has dual light intensity in one model.
- CL25 Series is 2 wire design.
- LED models are rated for 100,000 hours of rugged reliable use.
- OS Series is small enough to fit virtually anywhere in the vehicle.
- 5G Lights can be surface mounted without cutting holes.
- 8" round Super-LED® Series in three variations.
- 3" round Super-LED Series available in white or red for nighttime illumination.
- 6" Round with 6 diodes has built in On/Off switch

Warranty:

- LED = 5 year
- Halogen = 2 year (excludes bulbs)



Available Color

Models

Model No.	Model Series	Lamp Type	Technology	Mount	Color	VDC	Amps	Cable	Encap-ulated	Size				
8635CU	8635 rectangle	dual intensity interior dome	14 & 35 w snap in halogen	one piece reflector and flange	white	12	3.0A/high 1.0A/low	6" integral leads	-	8-3/16" (208mm) H x 6-7/16" (164mm) W x 2-3/4" (70mm) D				
86CE1	86CE rectangle	interior dome	12 diode Super-LED	surface			2.0A/high .20A/low			6-1/2" (165mm) H x 8-1/4" (207mm) W x 1-1/4" (32mm) D				
CL25C	CL25 round	interior dome	25 w bayonet style halogen				2A/high			5-7/8" (149mm) Dia. X 1-7/8" (48mm) D				
OACOEDCR	OS	step light	5mm LED				surface		60mA/avg	1"	yes	25mm) H x 1-1/2" (48mm) W x 1/2" (13mm) D		
OSCOEDCR													2"	48mm) Dia.
TOCACCCR														
5GC0CCCR	5G 3 diode	Super-LED	525mA/max				3-1/16" (77mm) H x 4-15/16" (124mm) W							
40C0OVCR	400	interior or compartment	5mm LED				surface		0.22A/max	4-1/8" (105mm) H x 6-1/2" (165mm) W				
60J000CU	600								350mA/max	3-1/16" (78mm) H x 7-1/4" (184mm) W				
70J000CU	700								0.16A	1-3/8" (35mm) H x 11-1/2" (292mm) W				
PSC0ADCR	Strip-Lite 6 diode	Super-LED	surface				one piece reflector and flange		0.48A	3"	yes	76mm)		
PSC0CDCR	Strip-Lite 18 diode								.036A	5/8" (16mm) H x 6" (154mm) Dia.				
3SC0CDCR	3" round				.12 A	8-5/8" (218mm) Dia. (includes flange)								
60CEHCR	6" round, 18 diode			0.7A										
60CEJCS	6" round, 6 diode			interior dome	1.5A/high									
80CEHCR	8" round, 9 diode													

NEW!!
NEW!!
NEW!!
NEW!!
NEW!!

For optional flange or other mounting options, please see applicable lighthouse series pages.

Interior Lighting

Features:

- Super-LED® color lighting in red and blue for nighttime illumination reduces nighttime blindness and eye strain and eye fatigue.
- Models available with dual colors in same unit.
- Models 80CREHCR/80CBEHCR have high low intensity capability.

Warranty:

- LED = 5 year



Available Colors

Model No.	Model Series	Lamp Type	Technology	Mount	Diodes	Color	VDC	Amps	Cable	Encapsulated	Size	
3SR0CDRR	3" Round	interior dome or compartment	Super-LED	surface	3	red	12	300mA	6" integral lead	yes	3" (76mm) Dia. (includes flange)	
3SRCCDCR					6	dual r/w						
3SBCCDCR						dual b/w						
60CREGCS	6" Round	interior dome			12	dual r/w		0.7 A (white)				
60CBEGCS						dual b/w		0.05 A (red)				
80ROEKCR	8" Round	interior dome			one piece reflector and flange	3		3 diode red			0.5 A (Hi)	1.0 A- (Hi)
80ROEJCR				6		6 diode red	0.1 (Low)					
80CREHCR				9		dual r/w	1.0 A- (Hi)	0.05 (Low)				
80CBEHCR						dual b/w						

NEW!!
NEW!!
NEW!!

Fluorent™ Series Interior Lighting

Features:

- Super-LED 120° illumination and compartment tube lighting.
- Fluorent utilizes one diode per inch.
- Fluorent Plus™ utilizes two diodes per inch.
- Light tube can be rotated to direct light where needed using "C" clip mounting.
- Includes both "C" clips for snap-in mounting and "P" clips for secure mounting.
- Silicone rubber end caps for a superior sealed fit around tubes and wires.
- Custom lengths available.
- Dimensions: 5/8" (16mm) H x desired length. See chart.

Warranty:

- LED = 5 year



Available Colors

Fluorent Models

Model No.	Length	Amp Draw	Lumens	Candela
F09C	9" (23cm)	60 ma	45	12
F18C	18" (46cm)	125 ma	60	16
F27C	27" (69cm)	160 ma	90	24
F36C	36" (91cm)	180 ma	135	36
F45C	45" (114cm)	240 ma	180	48
F54C	54" (137cm)	320 ma	225	60
F63C	63" (160cm)	420 ma	315	84

Fluorent Plus Models

Model No.	Length	Amp Draw	Lumens	Candela
F09PC	9" (23cm)	120 ma	90	24
F18PC	18" (46cm)	180 ma	120	32
F27PC	27" (69cm)	392 ma	270	72
F36PC	36" (91cm)	512 ma	360	96
F45PC	45" (114cm)	600 ma	450	120
F54PC	54" (137cm)	720 ma	540	144
F63PC	63" (160cm)	920 ma	690	184

PAR-36/46 Super-LED® Work Lights

Features:

- Choose floodlight or spotlight models.
- Black heavy-duty cast aluminum housing.
- Ultra bright Super-LED with low current draw.
- Stainless steel bracket and hardware included.
- Two intensities available.
- For 24 VDC models, contact factory.

Warranty:

- LED = 5 year



Available Color

Floodlight Models

Model No.	Diodes	Amps	Lumens	Mount	Switching	Handle	Rear Cover
PFBP12	12	1.7	1000	pedestal swivel	built-in on/off switch	yes	black
PFBP12C							chrome
PFBP6	6	.85	500				black
PFBP6C							chrome
PFBS12	12	1.7	1000	stud/swivel	-	-	black
PFBS12C							chrome
PFBS6	6	.85	500				black
PFBS6C							chrome

Spotlight Models

Model No.	Diodes	Amps	Mount	Switching	T-Handle	Rear Cover
PSBP12	12	1.7	pedestal swivel	built-in on/off switch	yes	black
PSBP12C						chrome
PSBP6	6	.85				black
PSBP6C						chrome
PSBS12	12	1.7	stud/swivel	-	-	black
PSBS12C						chrome
PSBS6	6	.85				black
PSBS6C						chrome

Hand Held Spot/Floodlights

Features:

- Hand-held spot/flood combination optic light.
- 90# pull magnet mount with 8' coiled cord and cigar plug.
- Waterproof durable built-in push button On/Off switch.

Model No.	Lighting	Diodes	VDC	Amps	Lumens	Mount
P36HHS	spot/flood	6	12/24	0.85 @ 12 VDC 0.325 @ 24 VDC	500	hand-held includes magnet
P46HHS	floodlight	18	12	2.3	1800	



PAR-36 Rubber Housing Spot/Floodlights

Features:

- Rubber stud/swivel housing.
- Available with or without lighthouse.

Model No.	Lighting	Diodes	VDC	Amps	Lumens	Mount
P36SLCHG	spot/flood	6	12/24	0.85 @ 12 VDC 0.325 @ 24 VDC	500	stud/swivel
P46SLCHG	flood	18	12	2.3	1800	
RBRHSG1	Rubber housing minus lighthouse					



Spot/Floodlight Replacement Lamps

Model No.	Model	Lighting	Diodes	VDC	Amps	Lumens
P36SLC	PAR-36	spot/flood	6	12/24	0.85 @ 12 VDC 0.325 @ 24 VDC	500
P46SLC	PAR-46	2° spotlight	9	12	1.9	1600
P46FLC		8° spotlight	18			
P46WLC		20° high x 60° wide floodlight				



Micro Pioneer™ Super-LED® Work Lights



MPBB



MPBW



MPRW



MPR15W



MPPBCS

Available Colors

Features:

- Rugged, die-cast aluminum powder coated housing.
- Housings available in Black or White.
- Rated to last thousands of hours with remarkable bright light.
- 8° spotlight pattern, comes standard. Includes three additional optic lenses for a light pattern choice of:
 - 90° x 20° wide flood
 - 40° x 20° flood
 - 40° x 8° horizontal flood
- Optic lens changes easily via four screws in picture frame fixture.
- Four mountings available:
 - Powder coated stainless steel bail bracket with 3/8" stud carriage bolt mount.
 - Two recessed mounts available with Chrome flange for straight out or 15° downward angle.
 - Heavy-duty pedestal/swivel available with Chrome or Black back cover and On/Off switch.
- Models available in 24 volts, contact factory.

Warranty:

- LED = 5 year

Models

Model #	Housing	Housing Color	Switch	Volts	Amps	Watts	Cable	Lumens	Size with bracket	
NEW!! MPBW	Bail/Stud	White		12	3.6A	45	6 foot	3800	4-5/8" (118mm) H x 4-3/4" (121mm) W x 3-1/8" (80mm) D	
NEW!! MPBB		Black								
NEW!! MPRW	Recessed chrome straight flange	White							6-1/8" (155mm) H x 6-11/16 (170mm) W x 2-7/8" (72mm) D	
NEW!! MPRB		Black								
NEW!! MPR15W	Recessed chrome 15° downward angled flange	White							6-1/8" (155mm) H x 6-11/16 (170mm) W x 2-7/8" (72mm) D	
NEW!! MPR15B		Black								
NEW!! MPPW	Pedestal/Swivel	White							includes On/Off switch	8-5/8" (220mm) H x 5-1/8" (129mm) W x 3-3/4" (94mm) D
NEW!! MPPB		Black								
NEW!! MPPWCS		White with Chrome back cover								
NEW!! MPPBCS		Black with Chrome back cover								
NEW!! MPPBBS		Black with Black back cover								

Pioneer™ Series Super-LED® Work Lights



Features:

- Replaces similar HID floodlights.
- Surface mount Super-LED floodlight in four intensities.
- Low amp draw.
- Spotlights are available in single lamp 2° and 8° models and a dual lamp Floodlight/8° Spotlight combination.
- Available in 12, 24 VDC and UL® approved 120 volt AC.
- For 24 volt models, contact factory.
- Instant On/Off, no ramp up time to achieve full intensity.
- Rugged powder coated cast aluminum housing.
- Bail bracket mounts are adjustable up to 15°, semi-recessed mount is 0° or 15° for maximum light effectiveness.
- No ultraviolet light that attracts insects during night operation.
- Pole mount models available, contact factory.
- Pioneer Plus™ offers twice the brightness in the same size housing as the regular Pioneer.
- Size: 4- 1/4" (108mm) H x 2-7/8" (71mm) D x 8-3/16" (207mm) W single L, 14" (356mm) dual L.

Warranty:

- LED = 5 year



Available Color

Lighthouse Models

Model No.	Model Series	Lamp Type	Useable Lumens	VDC	Amps	Watts	Cable	Housing Color	
PFA1	Pioneer Floodlight	single	3,000	12	3	35	20'	white	
PFA2		dual	6,000		6	70		black	
PFA1B		single	3,000		3	35		white	
PFA2B		dual	6,000		6	70		black	
PFP1	Pioneer Plus Floodlight	single	7,000		6	75	20'	white	
PFP2		dual	14,000		12	150		black	
PFP1B		single	7,000		6	75		white	
PFP2B		dual	14,000		12	150		black	
NEW 120 Volt AC UL® Approved Models									
PFP1AC	Pioneer Plus Floodlight	single	5,500	120 AC	.625	75	-	white	
PFP2AC		dual	11,000		1.25	150			
PCP2ASF	Pioneer Plus dual combination Floodlight & 8° Spotlight	spot left / flood right	4,000 (spot) 5,000 (flood) 9000 total		.6 (spot) .6 (flood) 1.2 total	150		-	white
PCP2AFS		flood left / spot right							
PCP2ASFB		spot left/ flood right					black		
PCP2AFSB		flood left / spot right							
NEW Spotlight and dual Spot/Floodlight Models									
PTP1	Pioneer Plus Spotlight	single 2°	4,500	12	5.4	70	20'	white	
PSP1		single 8°	7,000		6	75			
PCP2	Pioneer Plus dual combination Floodlight & 8° Spotlight	spot left / flood right	7,000/7,000		12	12			75/75



Pioneer™ Series Optional Mounting

Features:

■ **New Pole/Pedestal mount models include lighthead.**

Model #	Series	Lamp	Description	Switch	Housing	
PBAPED	Pioneer & Pioneer Plus	Single	Pedestal mount bracket tilts up/down, base swivels 360°, includes handle.	NA	NA	
PBAPED2		Dual				
PBA103		Single	Semi-recessed mount with chrome trim ring, housing mounts the floodlights straight out or at 15° downward angle.			
PBA203		Dual				
PBA106		Single	Universal bail bracket tilts up/down, adjustable to 25° upward or downward angle.			
PBA206		Dual				
PBA206V		Single	Vertical bail bracket.			
PBA106V						
Pole/Pedestal Mount includes Lighthead						
PFA1P	Pioneer	Single	Pole/Ped mount adapter with handle. Sent loose.	-	White	
PFA1PB				-	Black	
PFA1P1				On/Off	White	
PFA1P1B				On/Off	Black	
PFA2P		Dual		-	White	
PFA2PB				-	Black	
PFA2P1				On/Off	White	
PFA2P1B				On/Off	Black	
PFP1P	Pioneer Plus	Single	8° spotlight with pole/ped mount adapter with handle. Sent loose.	-	White	
PFP1PB				-	Black	
PFP1P1				On/Off	White	
PFP1P1B				On/Off	Black	
PFP2P		Dual		-	White	
PFP2PB				-	Black	
PFP2P1				On/Off	White	
PFP2P1B				On/Off	Black	
PSP1P	Pioneer Plus	Single	8° spotlight with pole/ped mount adapter with handle. Sent loose.	-	White	
PSP1PB				-	Black	
PSP1P1				On/Off	White	
PSP1P1B				On/Off	Black	
PCP2P		Dual		Combination flood and 8° spotlight with pole/ped mount adapter with handle. Sent loose.	-	White
PCP2PB					-	Black
PCP2P2					On/Off x 2	White
PCP2P2B					On/Off x 2	Black
PFP1AP	Pioneer Plus	Single	120 VAC, Pole/Ped mount adapter with handle. Sent loose.		-	White
PFP1APB					-	Black
PFP1AP1					On/Off	White
PFP1AP1B					On/Off	Black
PFP2AP		Dual		-	White	
PFP2APB				-	Black	
PFP2AP1				On/Off	White	
PFP2AP1B				On/Off	Black	
Pole/Pedestal Mount Kit, does not include Lighthead						
PBAPEDD	Pioneer and Pioneer Plus	Single or Dual	Pedestal Mount kit with Pole/pedestal mount adapter			
PBAPEDA		Single or Dual	Pedestal Mount kit for 120VAC with Pole/pedestal mount adapter			



PBA103 semi-recessed mount and chrome trim ring



PBA203 semi-recessed mount and chrome trim ring



PBA106 single universal bail bracket mount



PBA206 dual universal bail bracket mount



PBAPED pedestal mount and supplied handle



Pedestal/Pole mount adapter



Pole mount models include lighthead and removeable handle



Close up of Pole/Pedestal mounting with On/Off switch

Available Color

NEW!!

NEW!!

Pioneer™ Optional Lightbar Mounting

Features:

- For Freedom™ Super-LED® Lightbars only.
- Flashing/steady-burn flasher module standard in each bar.
- Mount one or two lamp Pioneer or Pioneer Plus floodlights.
- 20° adjustable angle without having to drill mounting and wire holes on your vehicle.
- Accommodates Freedom Lightbars 55" and up.
- Includes all mounting hardware.



Dual Pioneer Plus on Freedom Lightbar.

Lightbar Mounting for Pioneer & Pioneer Plus Lightheads

Mounting	Series	Lamp	Description
PFA1LB1	Pioneer	Single	One Pioneer, center mounted for 55" and up
PFA1LB2			Two Pioneers with mounting brackets for 72" and up
PFA2LB1		Dual	One Pioneer, center mounted for 55" and up
PFA2LB2			Two Pioneers with mounting brackets for 72" and up
PFP1LB1	Pioneer Plus	Single	One Pioneer Plus, center mounted for 55" and up
PFP1LB2			Two Pioneer Plus with mounting brackets for 72" and up
PFP2LB1		Dual	One Pioneer Plus, center mounted for 55" and up
PFP2LB2			Two Pioneer Plus with mounting brackets for 72" and up

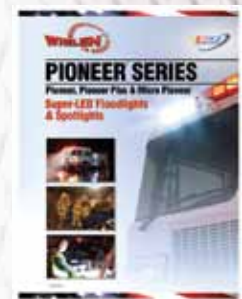


Coming Soon, Contact Factory for More Information.

Quick Release Pedestal Mount



Tripod Pole Mount for Pioneer Lightheads



For complete model and option information, please request the Pioneer Series Brochure.

Pioneer SlimLine™ Series Super-LED® Work Lights



Features:

- Rugged, die-cast aluminum powder coated housing.
- Rated to last thousands of hours with remarkable bright light.
- Single lamp models include 8° spotlight lens supplied on lighthead and one additional lens supplied for light dispersion of 40°x 20° flood.
- Dual lamp models include 8° spotlight lens supplied on lighthead, and two additional lenses are supplied for light dispersion of 40°x 20° flood and 8°spot/40°x 20° flood.
- Available in 24 Volt models, contact factory.
- Recessed mount models available in straight and 15° downward angle with chrome trim flange. Available in 12 and 24 volt and White or Black housing. Contact factory.
- Bail bracket works for horizontal and vertical mounting positions.

Warranty:

- LED = 5 year

Models



Available Colors

Model #	Housing	Housing Color	Volts	Amps	Watts	Cable	Lumens	Size
NEW!! PSL1B	single lamp bail/stud	White	12	3	35	20 foot	3000	3" (76mm) H x x 2-1/2" (63mm) D x 6-7/8" (174mm) L single, 12-1/2" (317mm) dual L (lighthead only)
NEW!! PSL1BB		Black						
NEW!! PSL2B	dual lamp bail/stud	White		6	70		6000	
NEW!! PSL2BB		Black						
NEW!! PSL1P	single lamp pedestal/swivel	White		3	35		3000	
NEW!! PSL1PB		Black						
NEW!! PSL2P	dual lamp pedestal/swivel	White		6	70		6000	
NEW!! PSL2PB		Black						

Pioneer MAX™ Super-LED Work Lights



Features:

- Rugged, die-cast aluminum powder coated housing.
- Rated to last thousands of hours with remarkable bright light.
- Combination Spot/Floodlight.
- Available in 24 Volt models, contact factory.
- Optional universal bail bracket and pedestal mount bracket.
- Available in pedestal/pole mount models in 12 and 24 volts with White or Black housings, with or without On/Off switch. Contact factory.
- AC models available soon. Contact factory.

Warranty:

- LED = 5 year

Models



PCP3 lighthead shown with pedestal/pole mount

Available Colors

Model #	Housing	Housing Color	Volts	Amps	Watts	Cable	Lumens	Size
NEW!! PCP3	lighthead only	White	12	16.5	225	20 foot	20,000	6" (152mm) H x 14" (356mm) L x 2-7/8" (73mm) D (lighthead only)
NEW!! PCP3B		Black						

Pan & Tilt™ Super-LED® Spotlight

Features:

- **Wired or wireless controlled spotlight.**
- **Wireless controller mounts anywhere in easy access on your vehicle and provides smooth control of light without long cable runs.**
- **Proportional push-button control for quick and easy operation.**
- **Low amp draw.**
- **Tilts 90° up and 20° down.**
- **Pans 420° horizontally.**
- **LEDs are rated for thousands of hours.**
- **Defaults to home position after use.**
- **Size: 8-3/4" (220mm) H x 7-3/4" (196mm) Dia.**

Warranty:

- **LED = 5 year**

Models

Model No.	Mount	Controller	Base	Lens	Amps	Lumens	VDC
PT360P	permanent	wired	polycarbonate	hard coated polycarbonate to resist scratches and UV damage	2 A (max)	1475	12
PT360PW		wireless					
PT360F	flange	wired					
Pt360FW		wireless					



Available Colors

FleetRack™ Truck Rack for Emergency Lighting

Features:

- **Mounts a variety of emergency lighting including full size or mini lightbars, beacons, auxiliary lighting and flood or spot lights.**
- **Super heavy-duty pre-formed steel construction with black powder coating.**
- **Secures to pickup body without drilling, moves easily from vehicle to vehicle.**
- **Pre-drilled access holes accommodate a wide range of lighting.**
- **Wiring channels protect and cover wiring for security, long-life serviceability and neat, professional appearance for your truck.**
- **Options include auxiliary wing brackets, bolt-in horizontal slat brackets and steel mesh window protection.**



Base model with center window and wing screen guards



Base model with center window and wing bar guards

Base Models

Model No.	Fits Vehicle
FR01	2012 Ford Super-Duty
FR02	2012 Ford F150
FR03	2012 Chevy Silverado and 2500 Series

Optional Kits

Model No.	Model	Fits Vehicle
FRCS	Center window screen guard	2012 Ford F150 Chevy Silverado and 2500 Series
FRWS	Wing window screen guard	
FRCSSD	Center window screen guard	2012 Ford Super-Duty
FRWSSD	Wing window screen guard	
FRCB	Center window bar guard	Fits All
FRWB	wing window bar guard	
FRCBM	Whelen beacon center mount bracket	
FREBM	Whelen beacon end or corner mount bracket	

Power Supplies

Features:

- Certified as system component to SAE & California Title III specifications.
- Manual Hi/Low intensity control.
- Input reverse polarity and output short circuit protection.
- UPS Series: RFI suppression, with less than 1db degradation.
- UPS & ISP Series: Input current and output power regulation (these features allow you to mix different styles of strobe flash tubes and deliver maximum output to all).

Warranty:

- Competitor™ & Competitor Plus™ = 2 year
- Universal® & Intelligent™ = 5 year

Models



Model No.	Model Series	Outlets	Watt Input	Watt Output	Outlet Switching	Alt/Simul Flash	VDC	Flash Patterns	Encapsulated	Housing	Connectors	Size		
CS240	Competitor	2	54	40	-	1x1	12/24	10 Scan-Lock™	yes	composite	AMP	1-3/4" (44mm) H x 6-1/2" (165mm) W x 2-1/2" (64mm) D		
CSP660	Competitor Plus	6	77	60	2x4	3x3	12		conformal coated circuit boards			cast alum.	2-1/2" (64mm) H x 5-7/8" (149mm) W x 6-3/4" (171mm) D	
CSP690			120	90						12/24			8	2-3/8" (60mm) H x 6-7/8" (149mm) W x 7" (178mm) D
UPS64LXA	Universal	4	90	75	2x2	2x2	12	16 + TA				8-5/8" (219mm) W x 9-1/8" (232mm) D		
ISP94	Intelligent		115	90							2x2x4	4x4	8	2-5/8" (67mm) H x 8-5/8" (219mm) W x 9-1/8" (232mm) D
ISP188			230	180							2x2x4	4x4	16 + TA	2-5/8" (67mm) H x 8-5/8" (219mm) W x 9-1/8" (232mm) D

Option

Model No.	Description
LEDLOAD	in-line load resistor kit to interface with OEM turn signal circuit for Competitor and Competitor Plus Series

For Power Supply Guide, see power supplies at www.whelen.com

Flashers

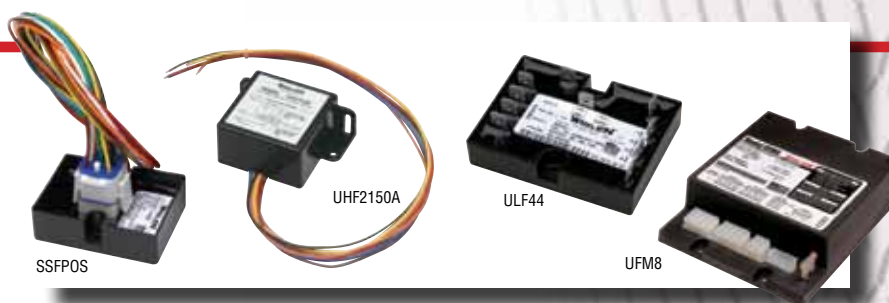
Features:

- Polycarbonate housing.
- Fully encapsulated for moisture and vibration protection.
- UHF Series has external mounting flanges.

Warranty:

- 2 year

Models



Model No.	Usage	Solid State	Outlets	Outlet Switching	Amps per Outlet	VDC	Flash Patterns	Encapsulated	Size
SSFPOS	pos switching headlights	100%	2 outlets	1x1	12.5	12	7	yes	7/8" (22mm) H x 2" (50mm) W x 2-3/4" (70mm) D
UHF2150A	pos or neg switching headlights	controlled relay output					4 outlets		2x2
ULF44	LED lighthead		4 outlets	2x2	62 alt/simul	3/4" (26mm) H x 2-3/4" (70mm) W x 3-1/2" (89mm) D			
UFM8	Halogen/LED lighthead		4 outlets	2x2x2x2	17	3/4" (26mm) H x 2-3/4" (70mm) W x 3-1/2" (89mm) D			

Options

Model No.	Description
LEDLOAD	in-line load resistor kit to interface with OEM turn signal circuit
PROGRAM1	Scan-Lock flash pattern programmer



Power Control Centers and Switches

Features:

- Adjustable bail bracket mounting.
- Back-lighted function windows for choice of 72 standard press-on legend tabs.
- PCC8R's basic eight position key pad with remote relay box is ideal for DOT, Tow and Wrecker vehicles.
- Hand held or mounted to the dash or console, the WCC9 replaces the standard ECM (Electronic Control Module) on WeCan® lightbars.

Warranty:

- 2 year



PCCS9R



PCCS9NP



PCC8R



WCC9



PCC4W



PCC6W



PCC10W

Power Control Models

Model No.	Type and Usage	No. of Switches	Switch type	LED "On" Indicator	Installation	VDC	Size
PCCS9R	control center for lightbars/lighting systems without need for separately mounted relays or relay boxes	6 push buttons and 1 four position dip switch	5 On/Off, 1 momentary (20 amp max load)	yes	12 position rear connector block	12	2" (50mm) H x 6-1/8" (155mm) W x 7-1/4" (184mm) D
PCCS9NP	economical control center for use with Freedom™, & Liberty™ lightbars	1 four position dip switch programmable slide switch for 3 primary functions	5 On/Off, 1 programmable On/Off switch		1 nine position and 5 conductor AMP Mate-N-Lok® connector to match lightbar cables		2" (50mm) H x 6-1/8" (155mm) W x 3-5/8" (92mm) D
PCC4W	SPST, lighted switches	4	25 amp lighted SPST	-	5 wires power input, 5 wires output	12	2-1/4" (57mm) H x 3-1/4" (83mm) W x 4" (102mm) D
PCC6W		6	25 amp lighted SPST		8 position rear connector block		2-1/4" (57mm) H x 6-5/8" (1662mm) W x 3-5/8" (91mm) D
PCC10W		10	20 amp		8 position rear connector block, supplied wiring harness		Relay Box: 1-1/4" (32mm) H x 7-1/4" (184mm) W x 4-3/4" (121mm) D Control head same as WCC9
PCC8R	eight position key pad with remote relay box	8	3 20 amp relays and 5 10 amp relays	yes	8 position rear connector block, supplied wiring harness	12	Relay Box: 1-1/4" (32mm) H x 7-1/4" (184mm) W x 4-3/4" (121mm) D Control head same as WCC9
WCC9	electronic control for Liberty, Freedom and Justice WeCan Lightbars	6 push buttons and 1 four position dip switch programmable slide switch for 10 primary functions	6 normally open, momentarily closed tactile switches with 3-position slide switch		small diameter, 22 gauge, 2-C cables mates to your WeCan lightbar for easy installation.		2-1/2" (64mm) H x 4-3/16" (106mm) W x 7/8" (22mm) D

Switch Panel Models

Model No.	Type	Usage	No. of Switches	Switch Type	Illuminated
PSW3	switch & bracket	strobe beacon or strobe system	1	Hi/Off/Low	yes
1SWITCH	"L" shaped aluminum switch bracket only	for 1 switch	-	-	-
2SWITCH		for 2 switches			
3SWITCH		for 3 switches			
4SWITCH		for 4 switches			
PC1	switch only with 15 amp contact	On/Off	1 each	SPST	yes
PC2		momentary On			-
PC3		On/Off/On		SPDT	yes
PC4		On/On			-
PC5		On/Off/On		DPDT	-
PC5S		strobe Hi/Off/Low			-



Wing Plow™ Series

Features:

- LED modules are fully encapsulated and are vibration, water and salt/chemical resistant.
- Two styles of lighthead provides complete coverage whether snowplow wing is in the operation position or in the stowed travel position.

Warranty:

- LED = 5 year



WPL0W2A

WPL0W1A



WPL0W3AA



WPL0WZ1A

Available Colors

Models

Model No.	Usage	Lighting	Flash Patterns	Cable	VDC	Housing
WPL0W1A	for when plow is in use	TIR3™ Super-LED® with built in flasher	24 Scan-Lock plus steady	20' heavy-duty TPR with built in strain relief connectors	12	rugged cast aluminum
WPL0W2A	for when plow is stowed for travel					
WPL0W3AA	includes both of above lighthead for complete coverage					
WPL0WZ1A	for when plow is in use	LINZ6™ Super-LED® with built in flasher	24 Scan-Lock plus steady	20' heavy-duty TPR with built in strain relief connectors	12	rugged cast aluminum
WPL0WZ2A	for when plow is stowed for travel					
WPL0WZ3AA	includes both of above lighthead for complete coverage					

NEW!!
NEW!!
NEW!!

Options

Model	Description
W441DIN	Deutsch® waterproof 3 pins and connector kit, cable end
W442DIN	Deutsch waterproof 3 sockets and connector kit, lighthead end



Safety Site™

Features:

- Super-LED traffic control for temporary warning.
- Safe alternate to flares.
- May be used horizontal or vertical position.
- 5-7 mile visibility range.
- Sold as single modules or in a kit of 5 in a compact Cordura® duffle bag.

Warranty:

- 5 year

Models

Model No.	Lighting	Power	Color	Product	FPM	Size
W20SS	emitter	requires three alkaline size C batteries for approx. 100 hours of use	red	single emitter	4 flash patterns	4-1/4" (109mm) H x 4-3/4" (121mm) W x 3" (76mm) D
W20SSRK				5 pack kit		



W20SS

W20SSRK

NEW!!

NEW!!

NEW!!

Hide-A-Way Strobe Systems

Features:

- Universal headlight and taillight flashing systems.
- Each system includes 4 Hide-A-Way strobe lighthead with 15' cables, connectors and remote strobe power supply.
- Substitute cables available.

Warranty:

- Power supply = 2 year / Strobe Tube = 1 year



Models

Model No.	No. of Outlets	Watts	No. of Lamps	Housing	Connectors	Encapsulation	VDC	Control	Switching	Patterns	Cable
NEW!! S240CC	2	40 output	2 strobe	clear, flange	AMP Mate-N-Lok®	yes	12/24	manual Hi/Low control	1 x 1	10 Scan-Lock™ patterns	2-15'
S660CCCC	6	60 output	4 strobe	clear, soft plug/screw-in		conformal coated circuit boards					
S660AAAA				amber, flange							
S690CCCC		90 output		clear, soft plug/screw-in							
S690AAAA				amber, flange							
S690AACC				2 clear, soft plug/screw-in 2 amber, flange							

Available Colors

Strobe Substitute Cables

Model No.	Description
SEXT20	20' cable w/ AMP connector
SEXT25	25' cable w/ AMP connector
SEXT30	30' cable w/ AMP connector
SEXT20D	20' cable w/ Deutsch connector*
SEXT25D	25' cable w/ Deutsch connector*

* Connectors at remote end of cable & strobe tube

Strobe Replacement Parts

Model No.	Description
S30HAA	strobe tube only, amber, flange style, AMP
S30HAAD	strobe tube only, amber, flange style, Deutsch®
S30HAC	strobe tube only, clear, flange style, AMP
S30HACD	strobe tube only, clear, flange style, Deutsch
S30HACP	strobe tube only, clear, plug/screw-in style, AMP
S30HACPD	strobe tube only, clear, plug/screw-in style, Deutsch
HA239C	strobe tube with 15' cable, clear, plug/screw-in style, AMP
HA239CD	strobe tube with 15' cable, clear, plug/screw-in style, Deutsch
HA238A	strobe tube with 15' cable, amber, flange style, AMP
HA238AD	strobe tube with 15' cable, amber, flange style, Deutsch
CSP660	6-outlet, 60 watt power supply
CSP690	6-outlet, 90 watt power supply

Shielded 3-Conductor Extension Cables

Model No.	Description
EXT15	15' cable w/ AMP connector
EXT20	20' cable w/ AMP connector
EXT10	25' cable w/ AMP connector
EXT30	30' cable w/ AMP connector
EXT40	40' cable w/ AMP connector
EXT5WD	5' cable w/ Deutsch® waterproof connector*
EXT10WD	10' cable w/ Deutsch waterproof connector*
EXT15WD	15' cable w/ Deutsch waterproof connector*
EXT20WD	20' cable w/ Deutsch waterproof connector*
EXT25WD	25' cable w/ Deutsch waterproof connector*
EXT30WD	30' cable w/ Deutsch waterproof connector*
EXT40WD	25' cable w/ Deutsch waterproof connector

Connector Kits

Model No.	Description
A441A	3 pins and connector, AMP (cap)
A442A	3 sockets and connector, AMP (plug)
A444A	2 pins and connector, AMP (cap)
A446A	2 sockets and connector, AMP (plug)
W441D	3 pins and connector, waterproof Deutsch
W441D14	3 pins and connector kit, waterproof Deutsch for DOT TPR cable
W442D	3 sockets and connector, waterproof Deutsch
W444D	2 pins and connector, waterproof Deutsch
W446D	2 sockets and connector, waterproof Deutsch

Electronic Back-Up Alarms

Features:

- Meets OSHA, Bureau of Mines, all State regulations.
- Glass filled nylon housing.
- Encapsulated solid-state electronics.
- Steam cleanable; pressure washable.
- Mount horizontally or vertically.

Warranty:

- 1 year



Models

Model No.	Decibels	SAE Code	VDC	Size
WBUA97	97	Type C	12/24	2-3/4" (69mm) H x 1-1/2" (38mm) D x 4" (102mm) W
WBUA107	107	Type B		2-3/4" (69mm) H x 1-1/2" (38mm) D x 4" (102mm) W
WBUA112	87-112	--		4" (101mm) H x 2-7/8" (73mm) D x 5-1/8" (130mm) W
WBUA112C	112	Type A		4" (101mm) H x 2-7/8" (73mm) D x 5-1/8" (130mm) W

PAR-36 Work Light

Features:

- Rugged heavy-duty cast natural aluminum housing.
- Includes Pedestal/swivel mount.
- Deutsch waterproof connector.
- Mounts standing or hanging.
- 24 VDC available, contact factory.

Warranty:

- 5 year



Models

Model No.	Lighting	Diodes	VDC	Amps	Size
3PC0C0CD	spotlight	9	12	1.70	6-3/4" (171mm) H x 2-1/2" (64mm) D x 4-3/4" (121mm) W (without mounting)



DOT-LED[®] Super-LED[®] Legal Lighting Systems



- All Whelen DOT3[®] Legal Lighting Systems are certified by an AMECA-accredited testing laboratory to meet or exceed SAE Class 1 warning lighting requirements in the appropriate specified safety colors.
- Super-LED offers all the impact of strobe with low amp draw.
- High and wide lighting profile identifies and defines the size and speed of a highway vehicle.
- Increased rear-end visibility with wide-angle long lasting Super-LED lighthoods visible even when dump body is in raised or lowered position, including forward dump bodies.
- All warning lighthood colors are amber. For other colors, contact factory.
- The system offers multiple flash patterns and sequence options to provide improved reference for motorists in determining the distance to and location of maintenance vehicles.
- Each system includes complete installation kit, including cable harnesses.
- Optional aluminum housings available.
- Five year HDP[®] Heavy-Duty Professional warranty.

DOT3 System Components

Front System Components

Choice of four Super-LED models with 360° warning visibility for front coverage. Includes 60' of heavy-duty TPE cable.

Micro Freedom™



3-3/4" (95mm) H x 9-5/16" (236mm) D x 12-5/16" (312mm) L

Micro 400



3-3/4" (95mm) H x 10-3/4" (272mm) D x 10" (254mm) L

Stainless Steel Micro 400



3-5/8" (92mm) H x 8-1/4" (209mm) D x 8-1/4" (209mm) L

Remote L31 Beacon



4-1/2" (102mm) H x 7-3/16" (182mm) Dia.

Rear Lighthoods

Rear lighthoods are offered in 3 sizes. Super-LED lighthoods have specially designed lenses for wide light output. All lighthoods are supplied with Deutsch[®] waterproof connectors.

400 Series



4-15/16" (124mm) H x 3-3/16" (77mm) W

500 Series



5" (127mm) H x 1-5/8" (41mm) W

700 Series



7-1/4" (184mm) H x 3-1/16" (78mm) W

Rear Housings

Rear mounted lighthoods include 30' heavy-duty, oil resistant TPE jacketed cable with strain relief flex tubing and couplings that provide added safeguard against the elements.

You have a choice of standard heavy-duty welded stainless steel or optional aluminum housings.

400 Series



Height: Single: 5-7/8" (149mm)
Double: 11-3/8" (290mm)
Triple: 17" (430mm)
Width 3-1/2" (88mm)
Depth: 4-3/4" (120mm)

500 Series



Height: Single: 7" (178mm)
Double: 13-3/4" (348mm)
Triple: 20-3/8" (518mm)
Width: 2-1/2" (65mm)
Depth: 5" (127mm)

700 Series



Height: Single: 8-3/8" (213mm)
Double: 16-1/4" (412mm)
Triple: 24" (608mm)
Width 3-1/2" (88mm)
Depth: 5" (127mm)

Standard Components



12" protective flex tubing and couplings to the lighthood connections protects the cabling and provides strain relief.



Waterproof, oil and corrosion-resistant tin coated, pure copper stranded conductors used in all TPE cables. Each wire strand in each cable is tin coated for the full length of the cable, providing superior longevity. Designed to last for the life of the vehicle. Optional cable lengths are available.



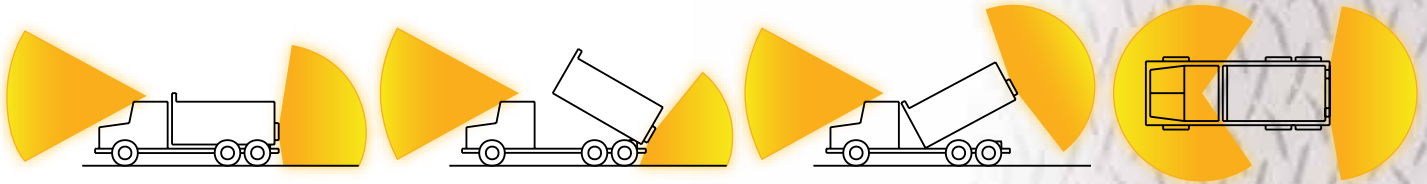
DOT-LED FLASHER/JUNCTION BOX
Centralized DOT Flasher for total system control. Offers various flash patterns, system flash sequence, and switching flexibility. The flasher also provides onboard Diagnostix™.



Top of the line Deutsch[®] waterproof connectors furnished with all rear lighthoods.



400 & 700 Series lighthood housings are 7 gauge and 500 Series are 11 gauge welded stainless steel. You may choose optional welded aluminum housings.

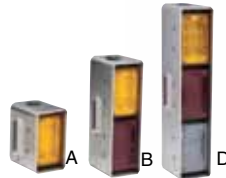
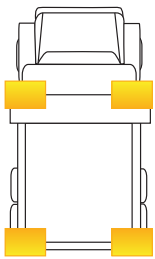


Wide angle lighthoods give visibility with the dump box in raised and lowered positions.

DOT3401, DOT3501 & DOT3701

4 Light System

Two Micro Freedoms with extended corner modules and two rear lighthouse options



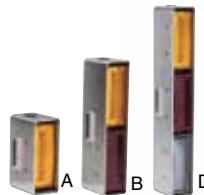
SYSTEM 401 with 400 Series Lighthoods

- DOT3401A Warning
- DOT3401B Warning and brake/tail/turn
- DOT3401D Warning, brake/tail/turn and back-up



SYSTEM 501 with 500 Series Lighthoods

- DOT3501A Warning
- DOT3501B Warning and brake/tail/turn
- DOT3501D Warning, brake/tail/turn and back-up



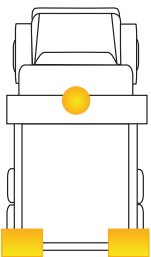
SYSTEM 701 with 700 Series Lighthoods

- DOT3701A Warning
- DOT3701B Warning and brake/tail/turn
- DOT3701D Warning, brake/tail/turn and back-up

DOT3402, DOT3502 & DOT3702

3 Light System

One L31 remote beacon and two rear lighthouse options



SYSTEM 402 with 400 Series Lighthoods

- DOT3402A Warning
- DOT3402B Warning and brake/tail/turn
- DOT3402D Warning, brake/tail/turn and back-up



SYSTEM 502 with 500 Series Lighthoods

- DOT3502A Warning
- DOT3502B Warning and brake/tail/turn
- DOT3502D Warning, brake/tail/turn and back-up



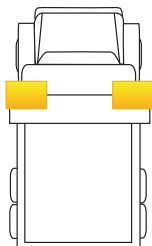
SYSTEM 702 with 700 Series Lighthoods

- DOT3702A Warning
- DOT3702B Warning and brake/tail/turn
- DOT3702D Warning, brake/tail/turn and back-up

DOT3103

2 Light System

Two Micro Freedoms with extended corner modules



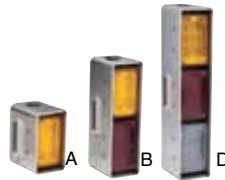
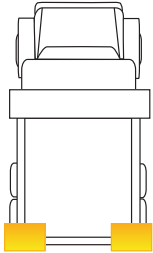
SYSTEM 103

- DOT3103..... Two front amber warning lights

DOT3404, DOT3504 & DOT3704

2 Light System

Two rear lighthouse options



SYSTEM 404 with 400 Series Lighthoods

- DOT3404A Warning
- DOT3404B Warning and brake/tail/turn
- DOT3404D Warning, brake/tail/turn and back-up



SYSTEM 504 with 500 Series Lighthoods

- DOT3504A Warning
- DOT3504B Warning and brake/tail/turn
- DOT3504D Warning, brake/tail/turn and back-up



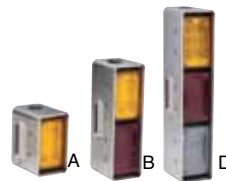
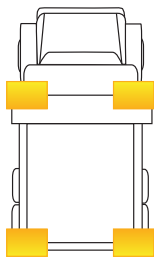
SYSTEM 704 with 700 Series Lighthoods

- DOT3704A Warning
- DOT3704B Warning and brake/tail/turn
- DOT3704D Warning, brake/tail/turn and back-up

DOT3405, DOT3505 & DOT3705

4 Light System

Two Micro 400s and two rear lighthouse options



SYSTEM 405 with 400 Series Lighthoods

- DOT3405A Warning
- DOT3405B Warning and brake/tail/turn
- DOT3405D Warning, brake/tail/turn and back-up



SYSTEM 505 with 500 Series Lighthoods

- DOT3505A Warning
- DOT3505B Warning and brake/tail/turn
- DOT3505D Warning, brake/tail/turn and back-up



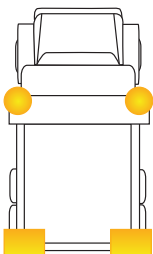
SYSTEM 705 with 700 Series Lighthoods

- DOT3705A Warning
- DOT3705B Warning and brake/tail/turn
- DOT3705D Warning, brake/tail/turn and back-up

DOT3406, DOT3506 & DOT3706

4 Light System

Two L31 remote beacons and two rear lighthouse options



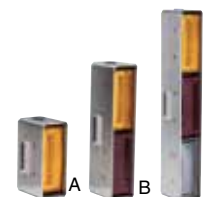
SYSTEM 406 with 400 Series Lighthoods

- DOT3406A Warning
- DOT3406B Warning and brake/tail/turn
- DOT3406D Warning, brake/tail/turn and back-up



SYSTEM 506 with 500 Series Lighthoods

- DOT3506A Warning
- DOT3506B Warning and brake/tail/turn
- DOT3506D Warning, brake/tail/turn and back-up

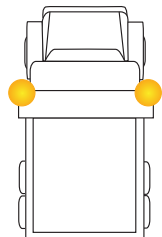


SYSTEM 706 with 700 Series Lighthoods

- DOT3706A Warning
- DOT3706B Warning and brake/tail/turn
- DOT3706D Warning, brake/tail/turn and back-up

DOT3107
2 Light System

Two remote L31 Beacons

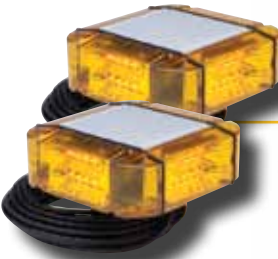
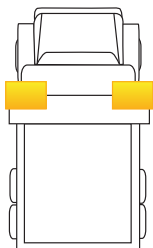


SYSTEM 107

DOT3107.....Two front amber warning lights

DOT3108
2 Light System

Two Micro 400s

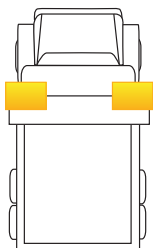


SYSTEM 108

DOT3108.....Two front amber warning lights

DOT3109
2 Light System

Two stainless steel Micro 400s



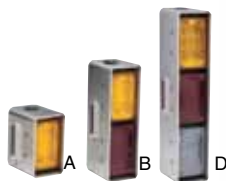
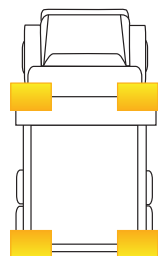
SYSTEM 109

DOT3109.....Two front amber warning lights

DOT3410, DOT3510 & DOT3710

4 Light System

Two stainless steel Micro 400s and two rear lighthouse options



SYSTEM 410 with 400 Series Lighthoods

DOT3410AWarning
DOT3410BWarning and brake/tail/turn
DOT3410DWarning, brake/tail/turn and back-up



SYSTEM 510 with 500 Series Lighthoods

DOT3510AWarning
DOT3510BWarning and brake/tail/turn
DOT3510DWarning, brake/tail/turn and back-up



SYSTEM 710 with 700 Series Lighthoods

DOT3710AWarning
DOT3710BWarning and brake/tail/turn
DOT3710DWarning, brake/tail/turn and back-up

DOT3 Options



Switch Control Panels rated at 25 amps per switch.
PCC4W - 4 switch
PCC6W - 6 switch



L31 Branch Guard with cast aluminum base.
L360BGB



TIR3™ Side Light for 400 and 700 Series rear housings.
ADD4TIR3 - 400 Series
ADD7TIR3 - 700 Series



Extension Cables in single or pairs in 30' and 45' lengths. (See current price list for models).



DOT Photocell for Hi/ Low power, includes black flange.
DOTPHOTO



Wing Plow Lighting Systems with TIR3™ or LINZ6™ light modules for high visibility in both the snowplow's wing in stowed and travel positions.
WPL0W3AA - TIR3
WPL0WZ3A - LINZ6

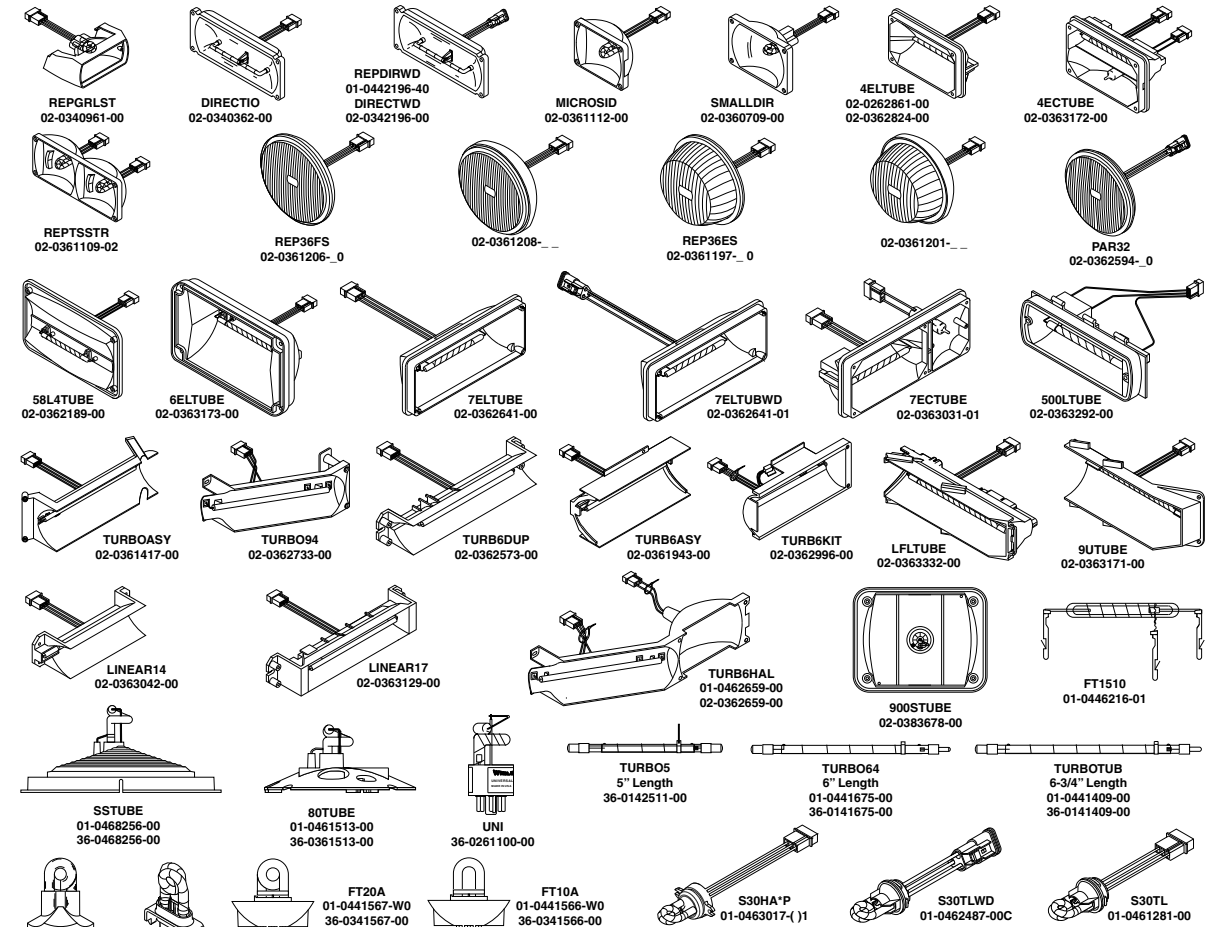


Combination LED spot/flood or flood work light with rubber housing and stainless steel hardware.
P36SCHG - Spot/Floodlight
P46SCHG - Floodlight

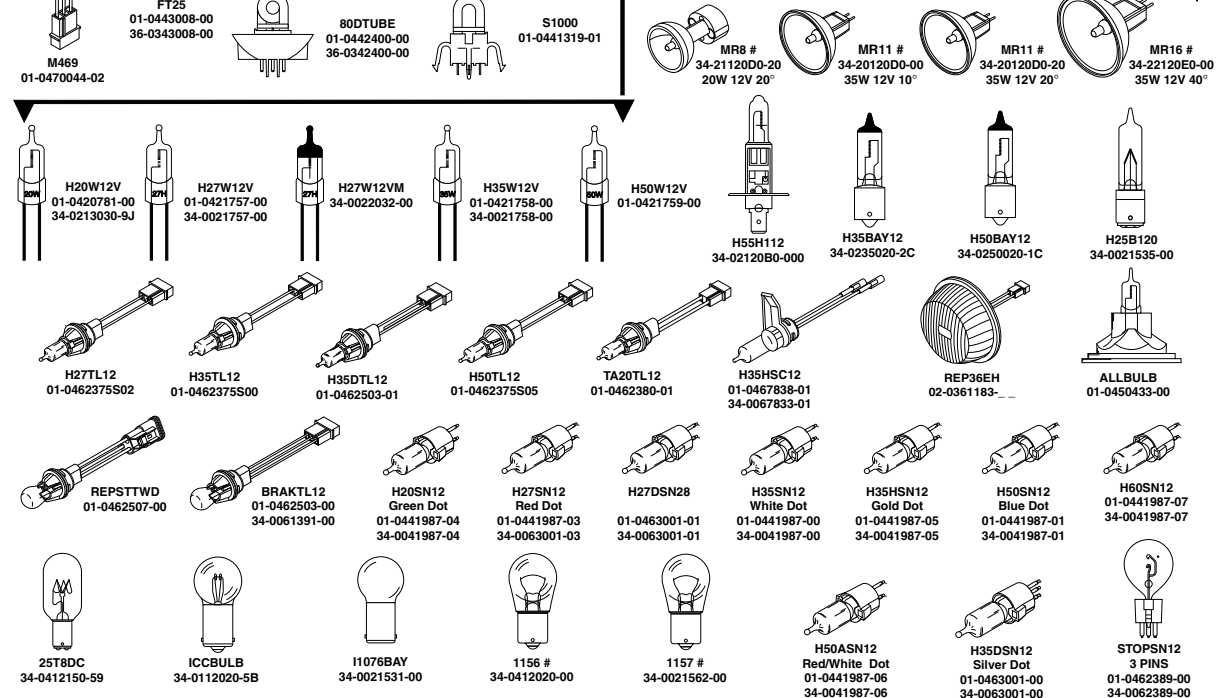
Replacement Lamp Guide

Pictorial reference guide for strobe, halogen and incandescent replacement bulbs

STROBE



HALOGEN & INCANDESCENT



Certification Standards

Providing the finest, certified lighting for our customers is a priority at Whelen Engineering Company. Listed below are the various certification standards used to test and certify our products for the DOT, Public Works, Utility, Towing and Contractor marketplace. As we are constantly upgrading and testing our products, it is impossible to print a document with all of the current information. Our team of customer service or field sales representatives will be happy to answer questions regarding this information and any other specific state or federal regulation that might apply to your criteria for decision-making on lighting devices for your vehicles.

Warning Lamps and Devices

CAC, Title III, Article 22
(red, blue and amber lighthoods)

SAE J595 - Flashing Warning Lamps for Authorized Emergency, Maintenance, and Service Vehicles (Jan 2005)

SAE J845 - Warning Devices for Authorized Emergency, Maintenance, and Service Vehicles (May 97)
Class 1, Class 2, Class 3.

SAE J1318 - Gaseous Discharge Warning Lamp for Authorized Emergency, Maintenance, and Service Vehicles (May 98)
Class 1, Class 2, Class 3.

Test Procedures and Materials

SAE J575 - Test Methods and Equipment for Lighting Devices & Components for use on Vehicles Less than 2032 mm in Overall Width (Jun 92)

SAE J2139 - Test Methods and Equipment for Lighting Devices & Components for use on Vehicles Greater than 2032 mm in Overall Width (Jan 96)

SAE J578 - Color Specifications (Jun 95)

Signalling and Marking Lighting Devices and Systems

FMVSS108 - Federal Motor Vehicle Safety Standards

SAE J586 - Stop Lamps for Use on Motor Vehicles Less than 2032 mm in Overall Width (Sep 95)

SAE J585 - Tail Lamps (Rear Position Lamps) for Use on Motor Vehicles Less than 2032 mm in Overall Width (Dec 94)

SAE J588 - Turn Signal Lamps for Use on Motor Vehicles Less than 2032 mm in Overall Width (Dec 94)

SAE J592 - Clearance, Side Marker, Identification Lamps (Dec 94)

SAE J593 - Back-up Lamps (Reversing Lamps) (Oct 95)

SAE J593C - Back-up Lamps (Reversing Lamps) (Feb 68)

SAE J914 - Side Turn Signal Lamps for Vehicles Less than 12 m in Length (Jan 95)

SAE J1432 - High Mounted Stop lamps for Use on Vehicles 2032 mm or More in Overall Width (Sept 97)

SAE J1889 - LED Lighting Devices (Jun 99)

SAE J1957 - Center High Mounted Stop Lamp Standard for Vehicles Less than 2032 mm in Overall Width (Jun 93)

SAE J2039 - Side Turn Signals Lamps for Large Vehicles (Jun 94)

SAE J2040 - Tail Lamps (Rear Position Lamps) for Use on Vehicles 2032 mm or More in Overall Width (Apr 99)

SAE J2042 - Clearance, Side-marker, and Identification Lamps for Use on Motor Vehicles 2032 mm or More in Overall Width (Jun 96)

SAE J2261 - Stop Lamps and Front and Rear Turn Signal Lamps for Use on Motor Vehicles 2032 mm or More in Overall Width (Mar 96)

WHELEN LED TERMINOLOGY

Generation 1 - (LED)
5mm diode technology

Generation 2
Piranha diode technology

Generation 3
Barracuda diode technology, standard diode and optic package

Generation 3.5 - (Super-LED®)
A special package containing the brightest diode and widest visibility optic technology available

TIR - (Super-LED)
Whelen's optimized use of Generation 3.5 diodes and unique optics to produce highly intense light that is somewhat directional in nature

Linear-LED® - (Super-LED)
Whelen's patented use of Generation 3.5 diodes and unique reflector optics to produce highly intense light that has superior wide angle visibility and rivals strobe in performance

SmartLED®
Whelen's distinctive use of self-contained electronics to power and flash a particular LED product. These products require no external flasher, ballast or power supply to operate.

User Direct Warranty (for Automotive Products Only)

Whelen Engineering Company, Inc. warrants products of its manufacture against defects in material and workmanship. This is provided that the product has been installed and operated in accordance with the manufacturer's recommendations. During the warranty period (see below) the Factory Repair Center or an Authorized Whelen Repair Center† will repair or replace (at its option) any parts or electronic assemblies of the unit which disclose a defect in material or workmanship. The Repair Center will return the repaired unit, transportation cost prepaid.

The above warranty is between the first purchaser (ultimate user) only and Whelen Engineering Company, Inc. (manufacturer). No prior authorization is required for returning Whelen products for warranty consideration. Each Whelen product sold is covered only by the official warranty in effect at time of purchase.

This warranty is not applicable to any Whelen product that has failed due to abuse, misuse, improper installation, excessive voltages, or alterations to the product that affects, in the manufacturer's judgment, intended use and service. Whelen will not be held liable for any incidental or consequential damages, and assumes no responsibility or liability for expenses incurred in the removal and/or re-installation of products requiring service and/or repair; nor the packaging, handling, and shipping to the Factory Repair Center or Authorized Whelen Repair Center†; nor for the handling of products returned from the repair center after service or repair.

There are no other warranties, expressed or implied, including, but not limited to, any implied merchantability or fitness for a particular use. Whelen Engineering Company, Inc. reserves the right to modify this warranty statement at any time; or discontinue, modify, or upgrade any products of its manufacture with design improvements without prior notice.

All power plugs/cigar plugs, incandescent and halogen bulbs, polycarbonate/plastic materials, radar products, aviation equipment, industrial products and high power voice/siren systems are not covered by this warranty (see applicable warranty statement). This warranty will be void when using or substituting other than all-genuine Whelen system components, such as remote head assemblies, xenon flash tubes, shielded cables, strobe power supplies, siren amplifiers and siren speakers.

This warranty gives you specific rights, and you may also have other rights which vary from state to state.

Whelen Engineering Company Electro-mechanical and Strobe Products

***STANDARD / 2-YEAR WARRANTY**

Whelen products are covered by a direct warranty for up to a maximum two years from date of purchase (not to exceed three years from date of manufacture), with proof of purchase. In accordance with the policy statement described herein, the unit may be returned directly to the factory or to an Authorized Whelen Repair Center† for warranty consideration. Whelen siren speakers, when used with a Whelen siren amplifier, are covered by a 2 year warranty from the date of manufacture. Heavy-Duty motor assemblies (so marked) are covered by a direct warranty for up to three years from date of manufacture. For warranty consideration, both the siren speakers and motor assemblies are subject to the conditions and steps described herein.

HDP / 5-YEAR WARRANTY

Whelen Automotive Non-Lightbar Strobe Power Supplies, LED Ballasts and LED Products bearing the official HDP label and manufactured to HDP standards, are covered by a direct warranty for up to five years from date of manufacture. In accordance with the policy statement described herein, the unit may be returned directly to the factory or to an Authorized Whelen Repair Center† for warranty consideration.

***12 MONTH WARRANTY — BACK-UP ALARMS**

Whelen Back-Up Alarms are covered by a 12 month warranty. Both are subject to the conditions and steps described herein.

10 YEAR LIMITED WARRANTY — LIGHTBAR POWER SUPPLY

*All repairable warranty and non-warranty Edge® style lightbar strobe power supplies will be replaced with a compatible new power supply. If out of initial warranty period but less than 7 years old, the charge will be a flat fee of \$145.00; if between 7 & 10 years old, the charge will be a flat fee of \$162.00 (warranty for standard power supply is 2 years and Heavy-Duty Professional (HDP®) power supply is 5 years). This is subject to the conditions and steps described herein.

12 AND 24 MONTH DIRECT WARRANTY — XENON FLASH TUBES

(Except Flash Tubes from 1000/1500/2000/3000 & VP Series which are covered by a 6 month warranty) If the xenon flash tube component of a "Whelen" brand (not from 1000/1500/2000/3000 or VP Series) product is returned to Whelen within 12 months of the date which is affixed to the flash tube, Whelen will replace that flash tube free of charge ONE TIME ONLY, subject to the conditions and steps herein. Whelen "Gold Medallion" flash tubes including all linear flash tube assemblies, carry a 24 month warranty. Whelen will pay ground transportation from Whelen's factory or Authorized Whelen Repair Center† to the customer via UPS where available (in the Continental U.S.).

12 MONTH EXTENDED WARRANTY — WHELEN REPAIRED STROBE POWER SUPPLIES

Whelen offers to repair or replace, free of charge, any part of its strobe light power supplies that have been repaired by Whelen within 12 months and are less than 5 years old, subject to the conditions and steps herein. Whelen will pay ground transportation from Whelen's factory or Authorized Whelen Repair Center† to the customer via UPS where available (in the Continental U.S.).

WHELEN ENGINEERING COMPANY OUT-OF-WARRANTY FACTORY REPAIR PROGRAM:

*If found to be repairable, the Whelen Factory Repair Center (only) will repair Non-Lightbar Electronic Strobe Power Supplies for \$90 each. This does not include replacement of any other electro-mechanical parts including flash tubes, polycarbonate domes, motors, or hardware items.

*Follow the "Steps To Be Taken For Return" noted below, and include a check or money order for \$90 for each unit returned. For Whelen products older than 10 years, repair charges will be determined upon examination only (minimum charge is \$162). Contact factory service center for further details.

STEPS TO BE TAKEN FOR WARRANTY RETURN:

- 1) Whelen products are to be returned freight prepaid to the: Whelen Factory Repair Center Building B, 51 Winthrop Road, Chester, CT 06412-0684; or an Authorized Whelen Repair Center†. Do not ship by bus.
- 2) A copy of the sales receipt must be returned with the defective unit to qualify for warranty coverage from date of purchase.
- 3) Include a short statement explaining the problem.
- 4) Include your name, address, and day-time telephone number.
- 5) Whelen and its Authorized Repair Centers will, via UPS, ship back the repaired unit freight prepaid, usually within a few days after its receipt.

† The only AUTHORIZED WHELEN REPAIR CENTER(S) are predetermined by the Whelen Factory via official listing obtained from Whelen Engineering Company, Chester, CT.

* New/Revised

Effective 1/12, REPLACES ALL PREVIOUSLY PUBLISHED SERVICE POLICIES

Product Index

Alphabetical index of Amber Products featured in this catalog

0S Series Lightheads	37	Justice Super-LED Mini Lightbars	25
1200D Series Strobe Beacons	14	L10 Series Super-LED Beacons	9
2" Round Lightheads	36	L21 & L22 Series Super-LED Beacons	10
2000 Series Strobe Beacons.....	12-13	L31 & L32 Series Super-LED Beacons	7
2G Series Lightheads.....	37	L40 & 41 Series Super-LED Beacons	8
3" Round Lightheads	36	L51, L52, L53 Series Super-LED Beacons	11
360° Strobe Beacons	12-15	LED Beacons.....	7-11
360° Super-LED® Beacons.....	7-11	Liberty™ Series Lightbars	27
3PCOC0CD Work light.....	58	Liberty Mini Lightbar	25
4" Round Series Lightheads	36	LIN3™ Series Super-LED Lightheads.....	35
400 Series Lightheads	38	LIN6™ Series Super-LED Lightheads.....	35
500 Series Lightheads	39	M Series Lightheads	43
508 Series Lightheads	33	Micro Lightheads.....	19
5G Series Lightheads.....	37	Micro Pioneer™ Spotlights	48
6" Round Interior Lightheads	45-46	Pan and Tilt Spotlight	53
600 Series Series Lightheads	40	PAR-36 & PAR-46 Work Lights	47 & 58
700 Series Series Lightheads	41	Perimeter™ Enhancement Light.....	33
800D Series Strobe Beacons	14	Pioneer™ Super-LED Work Lights	48-52
810 Series Lightheads	33	Power Control Centers	55
900 Series Lightheads	42	Power Supplies.....	54
Avenger™ Dash & Deck Light.....	17	Raider™ Directional Lighting.....	20
Back-up Alarms	58	Replacement Lamp Guide.....	63
Century Mini Lightbars.....	24	Responder LP™ Series Mini Lightbars.....	23
Centruy Towmans™ Lightbars	28	Responder Mini Lightbars	22
Certification Standards.....	64	RB6 Series Beacons.....	16
Competitor™ Series Strobe Power Supplies	54	S360D Series Strobe Beacons	15
Compartment Lights	45-46	Safety Site™ Emitter	56
Connectors and Extension Cables.....	57	Scenelights	44
Dash & Deck Lighting.....	17-20	SlimLighter™ Series Dash & Deck Lights	18
Dominator™ & Dominator Plus™ Series	20	Slim-Line™ Work lights	52
DOT-LED® Systems.....	59-62	Slim-Miser™ Series Dash & Deck Light.....	18
Extension Cables.....	57	SpitFire™ ION™ Dash & Deck Light	17
FleetRack™ Truck Rack System for Emergency Lighting	53	SpitFire Plus™ Dash & Deck Light.....	17
Flashers	54	Spotlights.....	47-53
FlatLighter™ Series Dash & Deck Lights.....	18	Strip-Lite™ Series Lightheads.....	32
Floodlights	47-53	Switches	55
Fluorent™ Interior Lighting	46	TIR3™ Lightheads.....	35
Freedom™ Lightbars	26	Towman's™ Lightbar Series Lightbars.....	28
Freedom Mini Lightbars.....	24	Traffic Advisor™, Arrow Head Style	31
Guardian™ Series Mini Lightbars.....	21	Traffic Advisor, Straight Style.....	29-30
Hide-A-Way Strobes	33	Universal® Power Supply Series	54
Hide-A-Way Strobe Systems.....	57	Vertex™ Hide-A-Way Lighthead	34
ION™ Super-LED Universal Mount Lighthead	19	Warranty	65
ION Super-LED Surface Mount Lighthead	32	Wing Plow™ Lights.....	56
Intelligent™ Power Supplies	54	Work lights	47-53
Interior Lights	45-46		
Justice® Super-LED Lightbars.....	27		

Notice:

Dimensions indicated for products are within +/- 1/16" (1.58mm) tolerance. Metric equivalents are rounded to nearest whole number. For special applications requiring more precise measurement, contact factory.

Prior to using any interior light, consult your vehicle's owner manual to insure proper use with air bag safety systems.

The use of a magnetic or suction mounted beacon on the roof of a vehicle in motion is not recommended, and is at the sole discretion and risk of the user.

For optimum performance and reliability, Whelen strobe power supplies are designed for use with Whelen flash tubes, strobe lightheads and cables only. Substitution of any of these components with non-Whelen products voids all warranties and any applicable certifications.

Whelen Engineering reserves the right to upgrade and improve products without notice.

CometFlash, DOT3, DOT-LED, Justice, Linear-LED, SI TEST, Universal, Responder, SmartLED, Super-LED, HDP, Edge and WeCan are registered trademarks of Whelen Engineering Company, Inc. Avenger, Competitor, Competitor Plus, Cross-Link, CON3, Delta, Diagnostix, Dominator PLus, Edge+Plus, Flatlighter, Freedom, Guardian, Grille-Master, HD Pro, Independence, Intelligent, Justice, Liberty, Linear, LIN3, LIN6, LINZ6, Packer, Pioneer, Pioneer Plus, RapidFire, Rota-Beam, Scan-Lock, SignalAlert, Slim-Miser, SlimLighter, SpitFire, Strip-Lite, TIR3, TIR6, Towman's, Traffic Advisor, Universal LED Hideaway, Vertex & Wing Plow are trademarks of Whelen Engineering Company, Inc. Mate-N-Lok is a registered trade mark of the AMP Corporation, Navistar is a registered trade mark of International Truck and Engine Corporation, Deutsch is a registered trade mark of Deutsch Engineered Connecting Devices, Velcro is a registered trade mark of Velcro Industries B.V., NASCAR® is a registered trademark of the National Association for Stock Car Auto Racing, Inc.

Whelen Trademarks are the property of Whelen Engineering Company, Inc. and may be used only as set forth in the Guidelines for Use of Whelen Trademarks available at www.whelen.com. Unauthorized use of the Whelen Trademarks for commercial purposes may constitute trademark infringement and unfair competition in violation of federal and state laws.





Distributed by:



WHELEN[®]

ENGINEERING COMPANY, INC.

51 Winthrop Road
Chester, CT 06412-0684
860-526-9504 • Fax 860-526-4078
www.whelen.com

